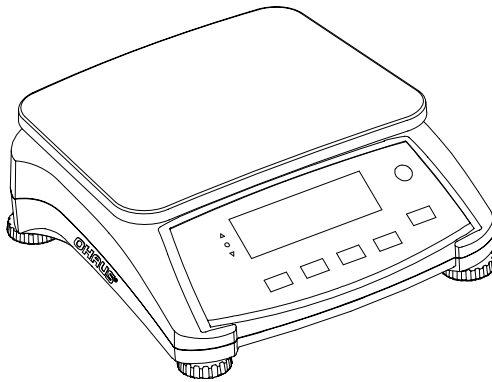




# Ranger™ 2000 Series Instruction Manual

## Serie Ranger™ 2000 Manual de instrucciones





# 1. INTRODUCTION

This manual contains installation, operation and maintenance instructions for the Ranger™ 2000 Series. Please read the manual completely before using the scale.

## 1.1 Safety Precautions

Please follow these safety precautions:

- Verify that the AC input voltage printed on the data label matches the local AC power supply.
- Do not drop loads on the platform.
- Make sure that the power cord does not pose a potential obstacle or tripping hazard.
- Use only approved accessories and peripherals.
- Operate the scale only under ambient conditions specified in these instructions.
- Disconnect the scale from the power supply when cleaning.
- Do not operate the scale in hazardous or unstable environments.
- Do not immerse the scale in water or other liquids.
- Do not place the scale upside down on the platform.
- Only use weights within the scale's capacity as specified in these instructions.
- Service should be performed only by authorized personnel.

# 2. INSTALLATION

## 2.1 Package Contents

- Scale
- Power Cord
- Warranty Card
- Pan
- Instruction Manual

## 2.2 Installing Components

Install the pan as shown below. Press to lock the pan into place.

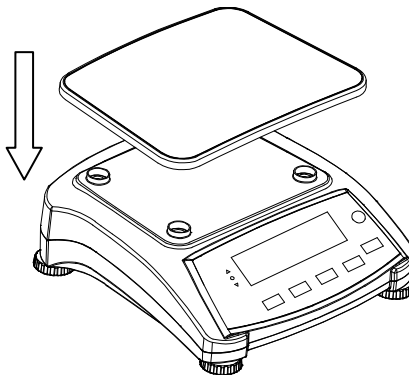


Figure 2-1. Installing the pan

### 2.3 Selecting the Location

Use the scale on a firm, steady surface. Avoid locations with excessive air current, vibrations, heat sources or rapid temperature changes. Allow sufficient space around the scale.

### 2.4 Leveling the Equipment

The Ranger Series has a level indicator as a reminder that the scale should be leveled for accurate weighing. There is a level bubble in a small round window on the front of the scale.

To level the scale, adjust the feet so the bubble is centered in the circle. Be sure the equipment is level each time its location is changed.

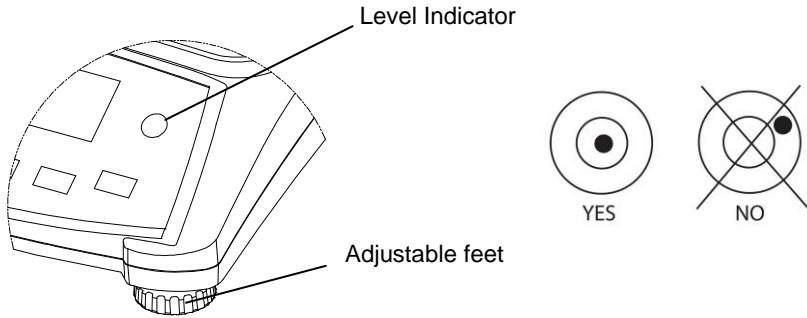


Figure 2-2. Level indicator

### 2.5 Connecting Power

AC power is used to power the scale when battery power is not needed. First, connect the AC power cord (supplied) to the power input jack then connect the AC plug to an electrical outlet.

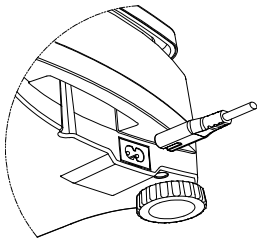


Figure 2-3A. Connect the power plug to the input jack on the back of scale.

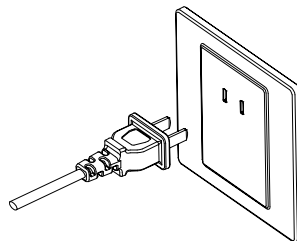


Figure 2-3 B. Connect AC power plug to the proper AC supply.

**2.5.1 Battery Power:**


The scale can be used on AC power immediately. The scale will automatically switch to battery operation if there is a power failure or the power cord is removed. The scale can be operated during charging, and the battery is protected against overcharging.

For maximum operating time, the battery should be charged at room temperature.

Allow the battery to charge for 12 hours before using the scale on battery power.

During battery operation, the battery symbol (see item 9 in table 3-2) indicates the battery charging status. When charging, the symbol will blink slowly and when fully charged the symbol will be turned off.

TABLE 2-2

Symbol	Charge level
	Battery in use: Symbol displayed

**Notes:**

When battery symbol blinks fast, approximately 30 minutes working time is left.

When [Lo.bAt] is blinking, the scale will shut off.

Charging the scale must be performed in a dry environment.



**CAUTION: Battery is to be replaced only by an authorized Ohaus service dealer. Risk of explosion can occur if the rechargeable battery is replaced with the wrong type or if it is not properly connected. Dispose of the lead acid battery according to local laws and regulations.**

### 3. OPERATION

#### 3.1 Controls

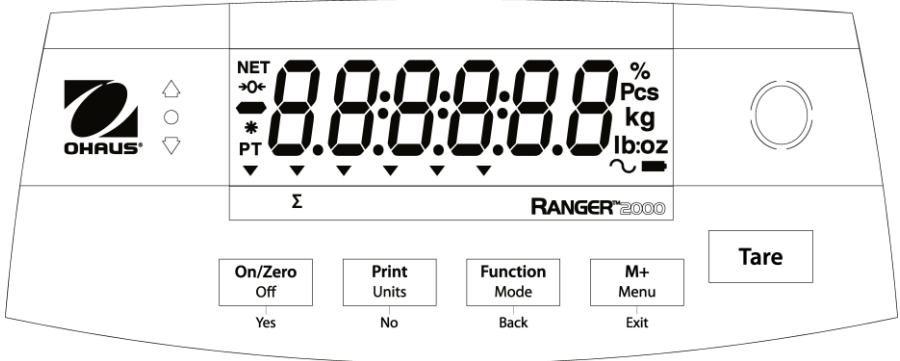


Figure 3-1. Ranger 2000 Control Panel

TABLE 3-1. Button Functions

Button	Functions
<b>On/Zero</b>	Short Press <sup>1</sup> (when on): Sets display to zero (when off): Turns scale on
<b>Off</b>	Long Press <sup>2</sup> (when on): Turns the scale off
<b>Yes</b>	Short Press (in Menu): Selects/accepts displayed setting
<b>Print</b>	Short Press: Sends current display value to serial port (auto print OFF).
<b>Units</b>	Long Press: Toggles through active weighing units
<b>No</b>	Short Press (in Menu): Toggles through available settings
<b>Function</b>	Short Press: Selects function setting
<b>Mode</b>	Long Press: Selects active mode
<b>Back</b>	Short Press (in Menu): Returns to previous setting
<b>M+</b>	Short Press: Accumulates the weight or displays the accumulated information at 0 load.
<b>Menu</b>	Long Press: Enters User Menu
<b>Exit</b>	Short Press (in Menu): Quickly exit User Menu
<b>Tare</b>	Short Press: Enter/clear a tare value. Clears the accumulation when the accumulation information is displayed.

**Notes:** <sup>1</sup> Short Press: Press less than 1 second.

<sup>2</sup> Long Press: Press and hold for more than 2 seconds.

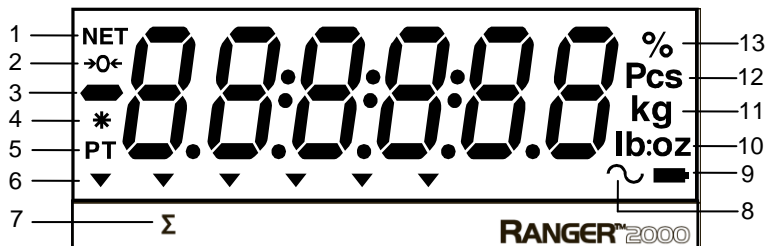


Figure 3-2. Display

TABLE 3-2. Symbols

Item	Description	Item	Description
1	NET symbol	8	Dynamic symbol
2	Center of Zero symbol	9	Battery charge symbol
3	Negative symbol	10	Pound, Ounce, Pound:Ounce symbols
4	Stable weight symbol	11	Kilogram, gram symbols
5	Preset Tare, Tare symbols	12	Pieces symbol
6	Pointer symbols	13	Percent symbol
7	Accumulation symbol		

The colored LED indicators on the left side of the control panel are used in Check mode (section 3.6) and will light up according to the following rules:

- ⬆ (Red) Loads > Upper limit
- (Green) Loads  $\geq$  Lower limit and  $\leq$  Upper limit
- ⬇ (Yellow) Loads < Lower limit

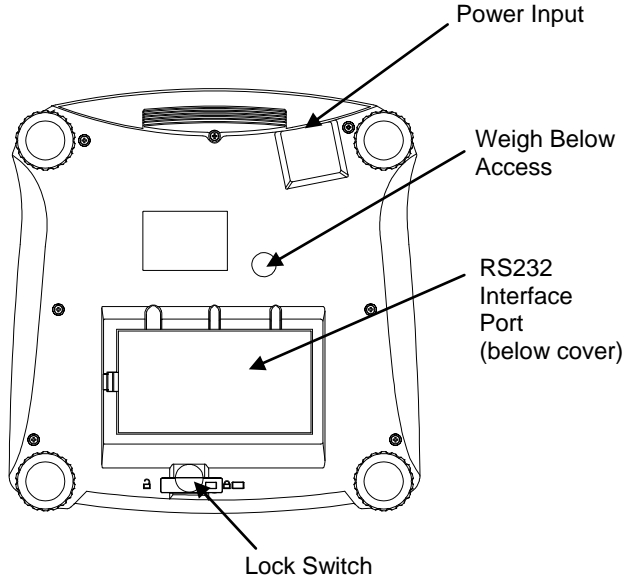


Figure 3-4. Below view of Ranger 2000

### 3.2 Turning Scale On/Off

To turn the scale on, press and hold the **On/Zero Off** button for 1 second. The scale performs a display test, momentarily displays the software version, and then enters the active weighing mode.

To turn the scale off, press and hold the **On/Zero Off** button until OFF is displayed.



### 3.3 Weigh Mode

This mode is the factory default setting.

1. If needed, press and hold **Mode** until [**WEIGH**] (Weigh) is displayed.
2. If required, place an empty container on the pan and press **Tare**.
3. Add sample to the pan or container. The display shows the weight of the sample.

### 3.4 Percent Mode

This mode measures the weight of a sample as a percentage of a reference weight.

1. If required place an empty container on the pan and press **Tare**.
2. Press and hold **Mode** until [**PERCENT**] is displayed. [**CLR.REF**] (clear reference) will then display. If no reference weight exists, the scale will display [**PUR.REF**], proceed to step 5.
3. Press **No** to use the stored reference weight and proceed to step 6.
4. Press **Yes** to establish a new reference. Scale will now display [**PUR.REF**].
5. Add the desired reference material to the pan or container. Press **Yes** to store the reference weight. The display shows 100%.
6. Replace the reference material with the sample material. The display shows the percentage of the sample compared to reference weight.
7. To clear the stored reference press and hold **Mode** until [**PERCENT**] is displayed. Press **Yes** when [**CLR.REF**] is displayed.

**Note:** Press **Function** to view the current reference weight.

### 3.5 Counting Mode

This mode counts large numbers of items based on the weight of a reference count.

1. Place an empty container on the pan and press **Tare**.
2. Press and hold **Mode** until [**COUNT**] (Count) is displayed. [**CLR.PW**] (Clear Average Piece Weight, APW) will then display.  
If no APW exists, the scale will display [**PUR. 10**], proceed to step 5.
3. Press **No** to use the stored APW. Proceed to step 7.
4. Press **Yes** to establish an APW.
5. The scale will then display the stored sample size, i.e. [**PUR. 10**]. Press **No** or **Back** to toggle the choices (5, 10, 20, 50 or 100).
6. Put the indicated number of pieces on the pan then press **Yes** to calculate the APW. The display shows the piece count.
7. Add additional pieces until the desired count is reached.

8. To clear the stored APW press and hold **Mode** until [Count] is displayed. Press **Yes** when [Clr.PW] is displayed.

**Note:** Press **Function** to view the current APW.

## 3.6 Check Mode

Use this mode to compare the Weight, Percent or Count of items to a target weight range. The scale supports positive, negative and zero check weighing. Refer to section 4.5 to set the desired Check sub-mode.

### 3.6.1 Check Weighing

Set Checkweigh to Weight in the Mode menu. Use this mode to compare the weight of items to a target weight range.

1. Press and hold **Mode** until [CHECK] (Check) is displayed. [CLL INT] (clear check limits) will then display.
2. Press **No** to use the stored check limits and proceed to step 5.
3. Press **Yes** to establish new check limits. The scale will then display [SEt. Lo]. Press **Yes** to view the “Low” limit value. Press **Yes** to accept or **No** to edit the “Low” limit value. The stored value then displays with the first digit highlighted [000.000 kg]. Repeatedly press **No** until the desired number appears. Press **Yes** to accept and highlight the next digit. Repeat until all the digits are correct. Press **Yes** to accept the “low” limit value, [SEt. H.] will be displayed.
4. Repeat the same procedure to accept or edit the “high” value.
5. If required, place an empty container on the pan and press **Tare**.
6. Place sample material on the pan or in the container. If the sample weight is under the target weight range, the yellow LED will light. If the sample is within the target weight range, the green LED will light. If the sample is over the target weight range, the red LED will light.

**Note:** Press **Function** to view the low and high check limits.  
For numeric settings, please see section 4.2 for details.

### 3.6.2 Check Percent

Set Checkweigh to Percent in the Mode menu. Use this mode to compare the percentage of items to a target percent range.

1. Press and hold **Mode** until [CHECK] (Check) is displayed. [Clr.rEF] (clear reference) will then display. If no reference weight exists, the scale will display [Pwt.rEF], proceed to step 4.
2. Press **No** to use the stored reference weight and proceed to step 5.
3. Press **Yes** to establish a new reference. Scale will now display [Pwt.rEF].
4. Add the desired reference material to the pan or container. Press **Yes** to store the reference weight.

5. The scale will display [**CL.L 0.00**] (clear Check limits).
6. Press **No** to use the stored check limits and proceed to step 9.
7. Press **Yes** to establish new check limits. The scale will then display [**SEt. Lo**]. Press **Yes** to view the “Low” limit value. Press **Yes** to accept or **No** to edit the “Low” limit value. The stored value then displays with the first digit highlighted [**000.000** %]. Repeatedly press **No** until the desired number appears. Press **Yes** to accept and highlight the next digit. Repeat until all the digits are correct. Press **Yes** to accept the “low” limit value, [**SEt. H .**] will be displayed.
8. Repeat the same procedure to accept or edit the “high” value.
9. If required, place an empty container on the pan and press **Tare**.
10. Place sample material on the pan or in the container. If the sample weight is under the target percentage range, the yellow LED will light. If the sample is within the target percentage range, the green LED will light. If the sample is over the target percentage range, the red LED will light.

**Note:** Press **Function** to view the low and high check limits.  
For numeric settings, please see section 4.2 for details.

### 3.6.3 Check Count

Set Checkweigh to Count in the Mode menu. Use this mode to compare the quantity of items to a target quantity range.

1. Press and hold **Mode** until [**CHECK**] (Check) is displayed. [**CLr.PW**] (clear APW) will then display.  
If no APW exists, the scale will display [**Pwt. 10**], proceed to step 5.
2. Press **No** to use the stored APW and proceed to step 5.
3. Press **Yes** to establish a new APW. Scale will now display [**Pwt. 10**]. Press **No** or **Back** to toggle the choices (5, 10, 20, 50 or 100).
4. Put the indicated number of pieces on the pan then press **Yes** to calculate the APW.
5. The scale will display [**CL.L 0.00**] (clear Check limits).
6. Press **No** to use the stored check limits and proceed to step 9.
7. Press **Yes** to establish new check limits. The scale will then display [**SEt. Lo**]. Press **Yes** to view the “Low” limit value. Press **Yes** to accept or **No** to edit the “Low” limit value. The stored value then displays with the first digit highlighted [**000000** Pcs]. Repeatedly press **No** until the desired number appears. Press **Yes** to accept and highlight the next digit. Repeat until all the digits are correct. Press **Yes** to accept the “low” limit value, [**SEt. H .**] will be displayed.
8. Repeat the same procedure to accept or edit the “high” value.
9. If required, place an empty container on the pan and press **Tare**.

10. Place sample material on the pan or in the container. If the sample weight is under the target quantity range, the yellow LED will light. If the sample is within the target quantity range, the green LED will light. If the sample is over the target quantity range, the red LED will light.

**Note:** Press **Function** to view the low and high check limits.  
For numeric settings, please see section 4.2 for details.

### Positive Check

Positive check is used to determine when the material added to the scale is within the target range. In this case the UNDER and OVER limits must be positive values. (The OVER limit must be greater than the UNDER limit.)

Add material to the scale until it is within the ACCEPT (green) range.

### Negative Check

Negative check is used to determine when the material removed from the scale is within the target range. In this case the UNDER and OVER limits are both negative values.

(The UNDER limit must be greater than the OVER limit.)

Place the item to be weighed on the scale and press **TARE**.

Remove a portion of the item until it is within the ACCEPT range.

### Zero Check

Zero check is used when comparing subsequent samples to an initial reference sample. In this case, the UNDER limit must be a negative value and the OVER limit must be a positive value.

Place the reference item on the scale and press **TARE**. Remove the reference sample and place the item to be compared on the scale to determine if it is within the ACCEPT range.

## 3.7 Dynamic Mode

This mode allows the user to weigh an unstable load such as a moving animal. The weight is held on the display until reset. Manual, semi-automatic and automatic start/reset methods are available.

**Manual operation** (DYNAMIC is set to MANUAL in the Mode menu):

1. Press and hold **Mode** until [**dyRRrT**] (Dynamic) is displayed. [**rERdy**] (Ready) will then be displayed.
2. Place the load on the pan and press the **Function** key to start measurement.

During the average period, the countdown timer decreases in one second increments.

3. After completed countdown, the average weight will be displayed. The tilde symbol will blink indicating that the current weight is being held.

4. Manually reset the countdown timer by pressing the **Function** key. [**rERdy**] (Ready) will then be displayed.

**Note:** If Set0 has been selected, the countdown timer is not displayed. The first weight larger than 5d will be displayed and held.

**Semi-automatic operation** (DYNAMIC is set to SEMI in the Mode menu):

1. Press and hold **Mode** until [**dyRRr**] (Dynamic) is displayed. [**rERdy**] (Ready) will then be displayed.
2. Place the load on the pan to start measurement.  
During the average period, the countdown timer decreases in one second increments.
3. After completed countdown, the average weight will be displayed. The tilde symbol will blink indicating that the current weight is being held.
4. Manually reset the countdown timer by pressing the **Function** key. [**rERdy**] (Ready) will then be displayed.

**Note:** If Set0 has been selected, the countdown timer is not displayed. The first weight larger than 5d will be displayed and held.

**Automatic operation** (DYNAMIC is set to AUTOMATIC in the Mode menu):

1. Press and hold **Mode** until [**dyRRr**] (Dynamic) is displayed. [**rERdy**] (Ready) will then be displayed.
2. Place the load on the pan to start measurement.  
During the average period, the countdown timer decreases in one second increments.
3. After completed countdown, the average weight will be displayed. The tilde symbol will blink indicating that the current weight is being held.
4. Remove the load and the display will reset after 10 seconds, [**rERdy**] (Ready) will then be displayed.

**Notes:** If Set0 has been selected, the countdown timer is not displayed. The first weight larger than 5d will be displayed and held.  
Alternatively, the display may be manually reset by pressing the **Function** key.

## 3.8 Accumulation and Statistics

The Accumulation feature enables manual or automatic totalizing of displayed values. Statistical data is stored in memory for review and printing. Accumulation works together with each application mode except Dynamic.

### 3.8.1 Accumulating Displayed Values

With ACCUMULATE set to MANUAL, place the item on the scale and press the **M+** key to add the weight to accumulation data. The  $\Sigma$  icon will keep flashing until the weight is removed.

With ACCUMULATE set to AUTO, place the item on the scale. The displayed value is accumulated automatically. The  $\Sigma$  icon will keep flashing until the weight is removed.

### 3.8.2 Viewing and Clearing Statistical Data

When the pan is cleared, press the **M+** key to display the statistical information. To clear the accumulation data press the **Tare** key while the statistical information is displayed. The display shows [**CLr**.**ACC**]. Press the **Yes** key to clear the stored data and return to current mode.

- Notes:**
- The item must be removed from the pan before the next item can be accumulated.
  - Only stable weights are stored to accumulation data.
  - Changing the mode will clear the accumulation data.

Accumulation Example:

In weighing mode; sub menu **ACCUM** setting, select **TARE**.  
If required, place an empty container on the pan and press **Tare**.

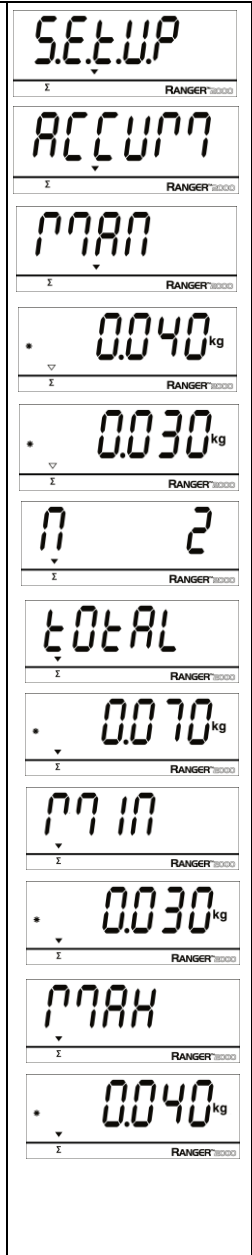
*Step i:* Put the weight (0.04 kg) on the pan and press **M+** key. The  $\Sigma$  icon indicator will keep flashing until the weight is removed

*Step ii:* Remove the weight from the pan. Put another weight (0.03 kg) and press **M+** key:

*Step iii:* Remove the weight from the pan.

*Step iv:* Press **M+** key to display the statistical information:

*Step v:* If required, follow section 3.8.2 to clear the accumulation data.



### 3.9 Additional Features

To use the Weigh Below hook feature, remove power from the scale and remove the protective cover for the weigh below opening. Install the hook (accessory) into the access hole at the bottom of the scale as shown. Do not over tighten, tighten finger tight. Mount the scale onto an appropriate assembly that allows free working space below the hook. See figure 3-5.

**Note:** Never allow the scale to rest directly on the hook.

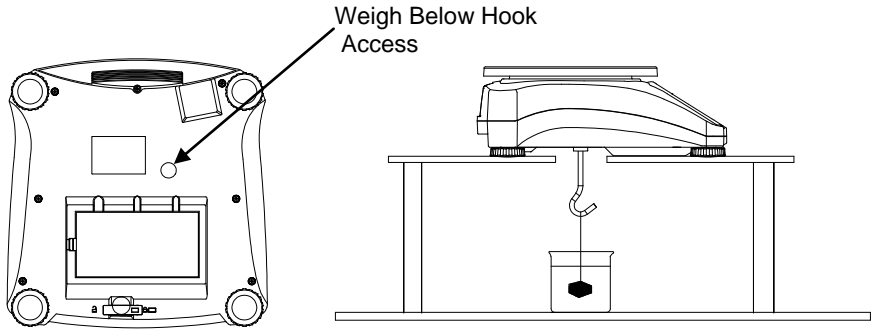


Figure 3-5. Setup for the Weigh Below Hook



## 4. MENU SETTINGS

The User Menu allows the customizing of scale settings.

Note: Additional Sub-Menus may be available if Interface Options are installed. See Interface User Manual for the additional setting information.

### 4.1 Menu Structure

User Menu:

Menu:	<i>C.A.L</i>	<i>S.E.t.U.P</i>	<i>r.E.A.d</i>	<i>M.O.d.E</i>	➡
Menu Items:	Span Lin GEO End	Reset Pwr.Un Zero A.Tare Bp.Sig Bp.Key Accum End	Reset Stable Filter AZT Light Sleep A.Off End	Reset Weigh Percnt Count Check Dynam End	

➡	<i>U.n.i.t</i>	<i>P.r.i.n.t</i>	<i>C.O.M</i>	<i>L.O.C.k</i>	<i>E.n.d</i>
Menu Items:	Reset kg g lb oz lb:oz End	Reset Stable A.Print Contnt Layout Data.Tr End	Reset Baud Parity Stop Handsh Alt.Cm End	L.Cal L.Setup L.Read L.Mode L.Unit L.Print L.COM End	

**Notes:**

Some modes/units may not be available in all models.

When LEGAL FOR TRADE is set to ON (Lock Switch in locked position), the menu settings are affected as follows:

Calibration (*C.R.L*) menu is not accessible.

Zero Range setting is locked at 2%.

Stable Range setting is locked at 1d.

Auto-Zero Tracking setting is locked at 0.5d.

Units are locked at their current settings.

Stable Only is locked On.

Auto Print/ Continuous is disabled.

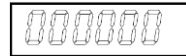
lb:oz is locked Off.

## 4.2 Menu Navigation

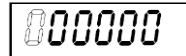
Summary of button navigation functions in menu mode:

- **Yes** Allows entry into the displayed menu.
  - Accepts the displayed setting and advances to the next item.
- **No** Skips by the displayed menu.
  - Rejects the displayed setting or menu item and advances to the next available item.
- **Back** Moves backwards through the upper and middle level menus.
  - Backs out of a list of selectable items to the previous middle level menu.
- **Exit** Exits from menu directly to the active weighing mode.

For menu items with numeric settings such as Check limits, the current setting is displayed with all digits flashing. Press the **No** button to begin editing.



The first digit is displayed flashing.



Press the **No** button to increment the digit or press the **Yes** button to accept the digit and move to the next digit. The first digit can be used to scroll between positive and negative value.



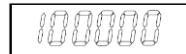
Repeat this process for all digits.



Press the **Yes** button when the last digit has been set.



The new setting is displayed with all digits flashing. Press the **Yes** button to accept the setting or press the **No** button to resume editing.



This method also applies to setting Checkweigh under and over targets.

For End menu items, pressing the **Yes** button advances to the next menu, while pressing the **No** button returns to the top of the current menu.

### 4.3 Calibration Menu

Enter this menu to perform calibrations.

#### Initial Calibration

When the scale is operated for the first time, a span calibration is recommended to ensure accurate weighing results. Before performing the calibration, be sure to have the appropriate calibration weights as listed in table 4-1. Ensure that the LFT switch/calibration lock is set to unlocked position. See figure 5-1.

Or adjust the GEO setting according to your location (see table 4-2).

#### Procedure:

Press and hold **Menu** until [MENU] (Menu) is displayed. When the button is released, the display will show [C.R.L]. Press **Yes** to accept. [SPAN] will then be shown. Press **Yes** to begin the span calibration. [ 0 kg] will be displayed. Press **Yes** to accept. [--C--] will be displayed while zero reading is stored. Next, the display shows the calibration weight value. Place the specified calibration mass on the pan. Press **Yes** to accept the weight or **No** to select an alternate weight. [--C--] will be displayed while the reading is stored. The display will show [done] if the calibration was successful. The scale returns to the previous application mode and is ready for use.

TABLE 4-1.

Suggested Span Calibration Mass (sold separately)			
Max	Mass <sup>1</sup>	Max	Mass <sup>1</sup>
1500g	1.5kg / 3lb	15000g	15kg / 30lb
3000g	3kg / 6lb	30000g	30kg / 60lb
6000g	6kg / 15lb		

**Note:** <sup>1</sup> Pound masses are used when calibrating in the lb unit.

Span:	Perform
Linearity:	Perform
Geographic Adjustment:	Set 0...12...31*
End Calibration:	Exit menu

*\*Bold always represents factory default value.*

#### Span [SPAN]

Initiates a span calibration procedure (zero and span).

#### Lin [L IN]

Initiates a linearity calibration procedure (zero, mid-point and span).

#### GEO [GEO]

Geographical Adjustment Factor (GEO) is used to adjust the calibration based on the current location. Settings from 0 to 31 are available with 12 being the default. Refer to table 4-2 to determine the GEO factor that corresponds to your location.

#### End Cal [End]

Advance to the next menu or return to the top of the current menu.

## 4.4 Setup Menu

Enter this menu to set scale parameters.

Reset:	<b>no</b> , yes
Power on unit:	<b>auto</b> , kg, g, lb, oz, lb:oz
Zero Range:	2%, <b>10%</b>
Beeper Signal:	<b>off</b> , accept, under, over, under-over
Beeper Key:	<b>off</b> , on
Accumulation:	<b>off</b> , auto, manual
End Setup:	Exit menu

### Reset [**rE5Et**]

Reset the Setup menu to factory defaults.

- NO = not reset
- YES = reset

### Power on unit [**PLJr.UR**]

Set the unit of measure displayed at startup.

- auto = last unit in use when turned off
- kg = kilograms
- g = grams
- lb = pounds
- oz = ounces
- lb:oz = pound ounces

### Zero Range [**ZE-0**]

Set the percentage of scale capacity that may be zeroed.

- 2% = zero up to 2 percent of capacity
- 10% = zero up to 10 percent of capacity

### Auto Tare [**A.tA-E**]

Set the automatic tare functionality.

- OFF = Automatic Tare is disabled
- ON = the first stable gross weight is tared.
- ON-ACC = stable gross loads within the accept limits are tared (in Check weighing mode).

### Beeper Signal [**bP.5 tG**]

Set how the beeper responds in Check Weighing mode.

- OFF = the beeper is disabled
- ACCEPT = the beeper will sound when the weight is within the Accept range.
- UNDER = the beeper will sound when the weight is below the Under setting.
- OVER = the beeper will sound when the weight is above the Over setting.
- UNDER-OVER = the beeper will sound when the weight is below the Under setting or above the Over setting.

**Beeper Key [bP.FEY]**

Set whether the beeper sounds when a button is pressed.

- OFF = no sound
- ON = sound

**Accumulation [ACCUM]**

Set the accumulation functionality.

- OFF = accumulation disabled
- AUTO = automatic accumulation
- MAN = manual accumulation

**End Setup [End]**

Advance to the next menu or return to the top of the current menu.

**4.5 Readout Menu**

Enter this menu to set user preferences.

Reset:	<b>no</b> , yes
Stable Range:	0.5, <b>1</b> , 2, 5
Filter:	low, <b>medium</b> , high
Auto-Zero Tracking (AZT):	off, <b>0.5</b> , 1, 3*
Light:	low, <b>medium</b> , high
Sleep:	<b>off</b> , on
Auto off:	<b>off</b> , 1, 5, 10
End Readout:	Exit menu

**Note:** \* Default AZT value for model R21PHE30 is '3'.

**Reset [rESEt]**

Reset the Read menu to factory defaults.

- NO = not reset
- YES = reset

**Stable Range [StABLE]**

Set the amount the reading can vary while the stability symbol remains on.

- 0.5d = 0.5 scale division
- 1d = 1 scale division
- 2d = 2 scale division
- 5d = 5 scale division

**Filter [F ILtEr]**

Set the amount of signal filtering.

- LOW = less stability, faster stabilization time
- MED = normal stability, stabilization time
- HI = greater stability, slower stabilization time

**Auto-Zero Tracking [AZT]**

Set the automatic zero tracking functionality.

- OFF = disabled
- 0.5d = the display will maintain zero until a change of 0.5 divisions per second has been exceeded.
- 1d = the display will maintain zero until a change of 1 divisions per second has been exceeded.
- 3d = the display will maintain zero until a change of 3 divisions per second has been exceeded.

**Light [LIGHT]**

Set the light intensity.

- LO = low light intensity
- MED = medium light intensity
- HI = high light intensity

**Sleep [SLEEP]**

Set the display shut off time.

- OFF = disabled (display will stay on until power off)
- ON = display will turn off in one minute in the absence of key or weight action

**Auto off [A.OFF]**

Set the automatic shut off functionality.

- OFF = disabled
- 1 = powers off after 1 minute of no activity
- 5 = powers off after 5 minute of no activity
- 10 = powers off after 10 minute of no activity

**End Readout [End]**

Advance to the next menu or return to the top of the current menu.

## 4.6 Mode Menu

This menu activates modes so they will be available for use with the Mode button.

Reset:	<b>no</b> , yes
Weigh:	off, <b>on</b>
Percent:	off, <b>on</b>
Count:	off, <b>on</b>
Check:	<b>off</b> , weigh, percnt, count
Dynamic:	<b>off</b> , man, semi, auto
End Mode:	Exit menu

### Reset [**rESEt**]

Reset the Mode menu to factory defaults.

NO = not reset  
YES = reset

### Weigh [**WJ EIGH**]

Set the status.

OFF = disabled  
ON = enabled

### Percent [**PErCENT**]

Set the status.

OFF = disabled  
ON = enabled

### Count [**COUNT**]

Set the status.

OFF = disabled  
ON = enabled

### Check [**CHECK**]

Set the sub-mode.

OFF = disabled  
WEIGH = weight mode  
PERCNT = percent mode  
COUNT = count mode

### Dynamic [**DYNAMIC**]

Set the status.

OFF = disabled  
MAN = averaging and resetting are initiated manually.  
SEMI = averaging is automatically initiated.  
          resetting is manually initiated.  
AUTO = averaging and resetting are automatically initiated.

### End Mode [**End**]

Advance to the next menu or return to the top of the current menu.

## 4.7 Unit Menu

This menu activates units so they will be accessible with the **Units** button. The units in the menu must be turned “on” to be active.

Note: Available units vary by model and local regulations.



## 4.8 Print Menu

Enter this menu to set printing parameters.

Reset:	<b>no</b> , yes
Stable Only:	<b>off</b> , on
Auto Print:	<b>off</b> , on stable, interval, continuous, accept
Content:	Result (-> off, <b>on</b> )
	Gross (-> <b>off</b> , on)
	Net (-> <b>off</b> , on)
	Tare (-> <b>off</b> , on)
	Header (-> <b>off</b> , on)
	Footer (-> <b>off</b> , on)
	Mode (-> <b>off</b> , on)
	Unit (-> off, <b>on</b> )
	Info (-> <b>off</b> , on)
	Accu (-> <b>off</b> , result, all)
Layout:	Format (-> <b>S</b> ,M)
	Feed (-> <b>Line</b> , 4 Lines, form)
Data Transfer:	<b>off</b> , on
End Print:	Exit menu

### Reset [**rESEt**]

Reset the Print menu to factory defaults.

- NO = no reset
- YES = reset

### Stable Only [**StAbLE**]

Set the printing criteria.

- OFF = values are printed immediately
- ON = values are only printed when the stability criteria are met.

### Auto Print [**APrint**]

Set the automatic printing functionality.

- OFF = disabled
- ON.STAB = printing occurs each time the stability criteria are met.
- INTER = printing occurs at the defined interval
- ACCEPT = printing occurs each time the display is within the Checkweigh accept range and stability criteria are met.
- CONT = printing occurs continuously

When ON.STAB is selected, set the condition for printing, where:

- LOAD = printing occurs when the load is stable and greater than zero
- LOAD.ZR = printing occurs when any load is stable and equal to or greater than zero.

When INTER is selected, set the Print Interval.

- 1 to 3600 (seconds)

**Content [CONTENT]**

Define the content of the printed data.

**Result**

Set the status.

- OFF = disabled
- ON = the displayed reading is printed

**Gross**

Set the status.

- OFF = disabled
- ON = the gross weight is printed

**Net**

Set the status.

- OFF = disabled
- ON = the net weight is printed

**Tare**

Set the status.

- OFF = disabled
- ON = the Tare weight is printed

**Header**

Set the status.

- OFF = disabled
- ON = the Header is printed

**Note:** See section 7.3.1 for instructions how to enter Header line.

**Footer**

Set the status.

- OFF = disabled
- ON = the Footer is printed

**Note:** See section 7.3.1 for instructions how to enter Footer line.

**Mode**

Set the status.

- OFF = disabled
- ON = the Mode is printed

**Unit**

Set the status.

- OFF = disabled
- ON = the Unit is printed

**Info**

Set the status.

- OFF = disabled
- ON = the Reference Information is printed

**Accu**

Set the status.

OFF = disabled

RESULT = the Accumulation result is printed

ALL = all the Accumulation data is printed

**Layout [LAYOUT]**

Set the format of the data output to a printer or computer.

**Format**

Set the printing format.

MULTI = a multi-line (single column style) printout is generate.

SINGLE = a single line printout is generated

**Feed**

Set the paper feed.

LINE = move a paper up one line after printing

4LF = move a paper up four lines after printing

FORM = a form feed is appended to the printout

**Data Transfer [DATA.T.R]**

Output weighing results directly to a PC application.

OFF = disabled

ON = enabled

Windows XP Setup:

1. Click Start Menu in Windows XP and click Settings -> open **Control Panel**.
2. Double click **Accessibility Options** in Control Panel.
3. Select the **General** tab.
4. Check **Use Serial Keys**, and click the **Settings** button.
5. Select the **Serial Port**, set the Baud rate to **9600** and click **OK**.
6. Close the Control Panel.
7. Run Excel to open one blank sheet. Focus the cursor on one item. At this time, if scale sends data to the PC through the RS232 port, the data will be put into the cell, and the cursor will automatically move to the next vertical cell.

**Notes:**

Data Transfer Function is not supported in Windows® 7/8. OHAUS provides SPDC software for Windows 7/8 users.

If the weighing value is a negative number, set the target cell in TEXT format.

Otherwise, Excel will not distinguish it as a negative number.

Please do not use this function during continuous printing.

**End Print [End]**

Advance to the next menu or return to the top of the current menu.

## 4.9 COM Menu

Enter this menu to define communication parameters.

Reset:	<b>no</b> , yes
Baud Rate:	300... <b>9600</b> ...19200
Parity:	7 even, 7 odd, 7 none, <b>8 none</b>
Stop bit:	<b>1</b> , 2
Handshake:	<b>none</b> , On-Off
Alternate command:	Print (A... <b>P</b> ...Z), Tare (A... <b>T</b> ...Z), Zero (A... <b>Z</b> )
End COM:	Exit menu

### Reset [**rEStt**]

Reset the COM menu to factory defaults.

NO = no reset  
YES = reset

### Baud Rate [**bAuD**]

Set the baud rate.

300 = 300 bps  
600 = 600 bps  
1200 = 1200 bps  
2400 = 2400 bps  
4800 = 4800 bps  
9600 = 9600 bps  
19200 = 19200 bps

### Parity [**PAR tP**]

Set the data bits and parity.

7 EVEN = 7 data bits, even parity  
7 ODD = 7 data bits, odd parity  
7 NONE = 7 data bits, no parity  
8 NONE = 8 data bits, no parity

### Stop bit [**StOP**]

Set the number of stop bits.

1 = 1 stop bit  
2 = 2 stop bits

### Handshake [**HANDSH**]

Set the flow control method.

NONE = no handshaking  
ON-OFF = XON/XOFF software handshaking

**Alternate command [ALt.Cmnd]**

Define command character for the Print, Tare and Zero commands

**Print**

Set the alternate command character for Print.

A to Z.

**Tare**

Set the alternate command character for Tare.

A to Z.

**Zero**

Set the alternate command character for Zero.

A to Z.

**End COM [End]**

Advance to the next menu or return to the top of the current menu.

## 4.10 Lock Menu

The Lock menu is a software controlled option which can lock menu settings to prevent tampering.

Reset:	<b>no</b> , yes
Lock Cal:	<b>off</b> , on
Lock Setup:	<b>off</b> , on
Lock Read:	<b>off</b> , on
Lock Mode:	<b>off</b> , on
Lock Unit:	<b>off</b> , on
Lock Print:	<b>off</b> , on
Lock COM:	<b>off</b> , on
End Menu Lock:	Exit menu

### Reset [**rESEt**]

Reset the Lock menu to factory defaults.

NO = no reset  
YES = reset

### Lock Cal [**L.CAL**]

Set the status.

OFF = Calibration menu is not locked.  
ON = Calibration menu is locked.

### Lock Setup [**L.SETUP**]

Set the status.

OFF = Setup menu is not locked.  
ON = Setup menu is locked.

### Lock Read [**L.READ**]

Set the status.

OFF = Readout menu is not locked.  
ON = Readout menu is locked.

### Lock Mode [**L.MODE**]

Set the status.

OFF = Mode menu is not locked.  
ON = Mode menu is locked.

### Lock Unit [**L.UNIT**]

Set the status.

OFF = Unit menu is not locked.  
ON = Unit menu is locked.

### Lock Print [**L.PRINT**]

Set the status.

OFF = Print menu is not locked.  
ON = Print menu is locked.

**Lock COM [L.COM]**

Set the status.

OFF = COM menu is not locked.

ON = COM menu is locked.

**End Lock [End]**

Advance to the next menu or return to the top of the current menu.

**4.11 End Menu**

Press 'Yes' to exit the menu and return to the current application mode. Press 'No' to advance to the Calibration menu.

TABLE 4-2. GEO CODES

		Elevation in meters										
		0	325	650	975	1300	1625	1950	2275	2600	2925	3250
		325	650	975	1300	1625	1950	2275	2600	2925	3250	3575
		Elevation in feet										
		0	1060	2130	3200	4260	5330	6400	7460	8530	9600	10660
		1060	2130	3200	4260	5330	6400	7460	8530	9600	10660	11730
Latitude		GEO value										
0°00'	5°46'	5	4	4	3	3	2	2	1	1	0	0
5°46'	9°52'	5	5	4	4	3	3	2	2	1	1	0
9°52'	12°44'	6	5	5	4	4	3	3	2	2	1	1
12°44'	15°06'	6	6	5	5	4	4	3	3	2	2	1
15°06'	17°10'	7	6	6	5	5	4	4	3	3	2	2
17°10'	19°02'	7	7	6	6	5	5	4	4	3	3	2
19°02'	20°45'	8	7	7	6	6	5	5	4	4	3	3
20°45'	22°22'	8	8	7	7	6	6	5	5	4	4	3
22°22'	23°54'	9	8	8	7	7	6	6	5	5	4	4
23°54'	25°21'	9	9	8	8	7	7	6	6	5	5	4
25°21'	26°45'	10	9	9	8	8	7	7	6	6	5	5
26°45'	28°06'	10	10	9	9	8	8	7	7	6	6	5
28°06'	29°25'	11	10	10	9	9	8	8	7	7	6	6
29°25'	30°41'	11	11	10	10	9	9	8	8	7	7	6
30°41'	31°56'	12	11	11	10	10	9	9	8	8	7	7
31°56'	33°09'	12	12	11	11	10	10	9	9	8	8	7
33°09'	34°21'	13	12	12	11	11	10	10	9	9	8	8
34°21'	35°31'	13	13	12	12	11	11	10	10	9	9	8
35°31'	36°41'	14	13	13	12	12	11	11	10	10	9	9
36°41'	37°50'	14	14	13	13	12	12	11	11	10	10	9
37°50'	38°58'	15	14	14	13	13	12	12	11	11	10	10
38°58'	40°05'	15	15	14	14	13	13	12	12	11	11	10
40°05'	41°12'	16	15	15	14	14	13	13	12	12	11	11
41°12'	42°19'	16	16	15	15	14	14	13	13	12	12	11
42°19'	43°26'	17	16	16	15	15	14	14	13	13	12	12
43°26'	44°32'	17	17	16	16	15	15	14	14	13	13	12
44°32'	45°38'	18	17	17	16	16	15	15	14	14	13	13
45°38'	46°45'	18	18	17	17	16	16	15	15	14	14	13
46°45'	47°51'	19	18	18	17	17	16	16	15	15	14	14
47°51'	48°58'	19	19	18	18	17	17	16	16	15	15	14
48°58'	50°06'	20	19	19	18	18	17	17	16	16	15	15
50°06'	51°13'	20	20	19	19	18	18	17	17	16	16	15
51°13'	52°22'	21	20	20	19	19	18	18	17	17	16	16
52°22'	53°31'	21	21	20	20	19	19	18	18	17	17	16
53°31'	54°41'	22	21	21	20	20	19	19	18	18	17	17
54°41'	55°52'	22	22	21	21	20	20	19	19	18	18	17
55°52'	57°04'	23	22	22	21	21	20	20	19	19	18	18
57°04'	58°17'	23	23	22	22	21	21	20	20	19	19	18
58°17'	59°32'	24	23	23	22	22	21	21	20	20	19	19
59°32'	60°49'	24	24	23	23	22	22	21	21	20	20	19
60°49'	62°90'	25	24	24	23	23	22	22	21	21	20	20
62°90'	63°30'	25	25	24	24	23	23	22	22	21	21	20
63°30'	64°55'	26	25	25	24	24	23	23	22	22	21	21
64°55'	66°24'	26	26	25	25	24	24	23	23	22	22	21
66°24'	67°57'	27	26	26	25	25	24	24	23	23	22	22
67°57'	69°35'	27	27	26	26	25	25	24	24	23	23	22
69°35'	71°21'	28	27	27	26	26	25	25	24	24	23	23
71°21'	73°16'	28	28	27	27	26	26	25	25	24	24	23
73°16'	75°24'	29	28	28	27	27	26	26	25	25	24	24
75°24'	77°52'	29	29	28	28	27	27	26	26	25	25	24
77°52'	80°56'	30	29	29	28	28	27	27	26	26	25	25
80°56'	85°45'	30	30	29	29	28	28	27	27	26	26	25
85°45'	90°00'	31	30	30	29	29	28	28	27	27	26	26



## 5. LEGAL FOR TRADE

When the scale is used in trade or a legally controlled application it must be set up, verified and sealed in accordance with local weights and measures regulations. It is the responsibility of the purchaser to ensure that all pertinent legal requirements are met.

The Menu Lock switch limits changes to the Cal, Setup, Readout, Unit and Print menus. The switch in type approved models may set some scale settings as required by the approval agency. The switch may be secured using paper seals, wire seals or plastic ties.

**Note:** When LEGAL FOR TRADE is set to ON (LFT Switch in locked position), the menu settings are affected as follows:

- Calibration (C.A.L) menu is not accessible.
- Zero Range setting is locked at 2%.
- Stable Range setting is locked at 1d.
- Auto-Zero Tracking setting is locked at 0.5d.
- Units are locked at their current settings.
- Stable Only is locked On.
- Auto Print/ Continuous is disabled.
- lb:oz is locked Off.

### 5.1 Settings

Before verification and sealing, perform the following steps:

1. Verify that the menu settings meet the local weights and measures regulations.
2. Perform a calibration, see section 4.3.
3. Set the switch to Locked. See figure 5-1.

### 5.2 Verification

The local weights and measures official or authorized service agent must perform the verification procedure.

### 5.3 Sealing

The local weights and measures official or authorized service agent must apply a security seal to prevent tampering with the settings. Refer to the illustration below for sealing methods.

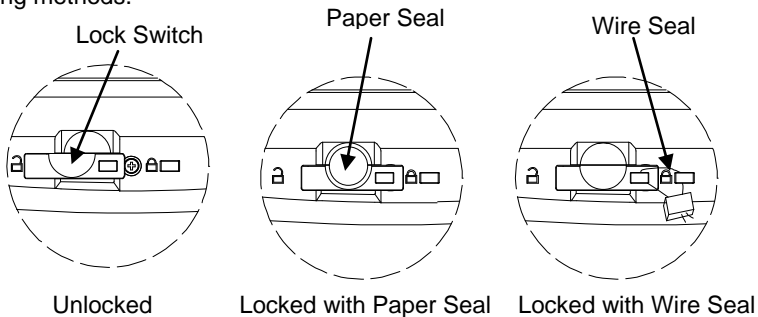


Figure 5-1. Sealing

## 6. MAINTENANCE

### 6.1 Cleaning

The housing may be cleaned with a cloth dampened with a mild detergent if necessary. Do not use solvents, chemicals, alcohol, ammonia or abrasives to clean the housing or control panel.

### 6.2 Troubleshooting

The following table lists common problems and possible causes and remedies. If the problem persists, contact OHAUS or your authorized dealer.

TABLE 6-1

Symptom	Possible Cause	Remedy
Cannot turn on	No power to scale	Verify connections and voltage
Poor accuracy	Improper calibration Unstable environment	Perform calibration Move scale to suitable location
Cannot calibrate	LFT locked	See chapter 5 for information.
Cannot access mode	Mode not enabled	Enter menu and enable mode
Cannot access unit	Unit not enabled	Enter menu and enable unit
Battery icon flashing	Low Battery error	Connect scale to AC power and charge the battery
<b>Err 8.1</b>	Power On Error	Weight reading exceeds Power On Zero limit
<b>Err 8.2</b>	Power On Error	Weight reading below Power On Zero limit
<b>Err 8.3</b>	Over Range Error	Weight reading exceeds Overload limit
<b>Err 8.4</b>	Under Range Error	Weight reading below Underload limit
<b>Err 8.5</b>	Tare out of range	Adjust tare value to be within range
<b>Err 8.6</b>	Display overflow	Weight exceeds 6 digits
<b>Err 9.5</b>	Calibration data error	Calibration data not present
-----	Busy	Displayed during tare setting, zero setting, printing
--NO--	Action not allowed	Function not executed
<b>CAL E</b>	Calibration error Unstable environment Incorrect calibration weight	Calibration value outside allowed limits Move the scale to suitable location Use correct calibration weight
<b>Lo.rEF</b>	Low reference weight warning	Increase reference weight
<b>rEF.Err</b>	Unacceptable reference weight	Reference weight too small. Weight on the pan is too small to define a valid reference weight. Increase reference weight.
Battery fails to charge fully	Battery is defective	Have battery replaced by Ohaus authorized service dealer.

### **6.3 Service Information**

If the troubleshooting section does not resolve or describe your problem, contact your authorized OHAUS service agent. For service assistance or technical support in the United States call toll-free 1-800-526-0659 between 8:00 AM and 5:00 PM EST. An OHAUS product service specialist will be available to provide assistance. Outside the USA, please visit our web site, [www.ohaus.com](http://www.ohaus.com) to locate the OHAUS office nearest you.

### **6.4 Accessories**

In Use Cover	30037450
Weighing Below Hook	30025993
Printer	Contact Ohaus
Communication Cables	Contact Ohaus

## 7. TECHNICAL DATA

The technical data is valid under the following ambient conditions:

Operating temperature: -10°C to 40°C

Relative humidity: 20% to 85% relative humidity, non-condensing

Height above sea level: Up to 2000 m

Power: AC power 200-240V 50/60 Hz, internal rechargeable sealed lead acid battery

Main supply voltage fluctuations: up to  $\pm 10\%$  of the nominal voltage

### 7.1 Specifications

TABLE 7-1

MODEL	R21PE1502	R21PE3	R21PE6	R21PE15	R21PE30	R21PHE30
Capacity x Readability (Max x d non-approved)	1.5kg x 0.00005kg 1500g x 0.05g 3 lb x 0.0001 lb 48oz x 0.002oz	3kg x 0.0001kg 3000g x 0.1g 6 lb x 0.0002 lb 96oz x 0.004oz	6kg x 0.0002kg 6000g x 0.2g 15 lb x 0.0005 lb 240oz x 0.01oz	15kg x 0.0005kg 15000g x 0.5g 30 lb x 0.001 lb 480oz x 0.02oz	30kg x 0.001kg 30000g x 1g 60 lb x 0.002 lb 960oz x 0.04oz	30 kg x 0.0001kg 30000g x 0.1g 60 lb x 0.0002 lb 960oz x 0.004oz
Maximum Displayed Resolution	1:30000					1:300000
Repeatability	$\pm 0.1$ g	$\pm 0.2$ g	$\pm 0.4$ g	$\pm 1$ g	$\pm 2$ g	$\pm 1$ g
Linearity	$\pm 0.1$ g	$\pm 0.2$ g	$\pm 0.4$ g	$\pm 1$ g	$\pm 2$ g	$\pm 1$ g
Weighing Units	g, kg, lb, oz, lb:oz					
Tare Range	To capacity by subtraction					
Stabilization Time	$\leq 1$ second					
Weight Display	Red LED 6-digit 7-segment, 28 mm / 1.1 inches digit height					
Keyboard	5 mechanical buttons					
Application Modes	Weighing, Dynamic Weighing / Display Hold, Counting, Check Weigh, Check Counting, Check Percent, Percent Weighing, Accumulation					
Battery Operating Time (at 20°C)	110 hours					
Construction	ABS plastic housing, ABS plastic platform with Stainless steel inset					
Pan Dimensions	225 x 300 mm					
Net Weight	3.9 kg / 8.6 lb					
Gross Weight	5.15 kg / 11.4 lb					

## 7.2 Drawings

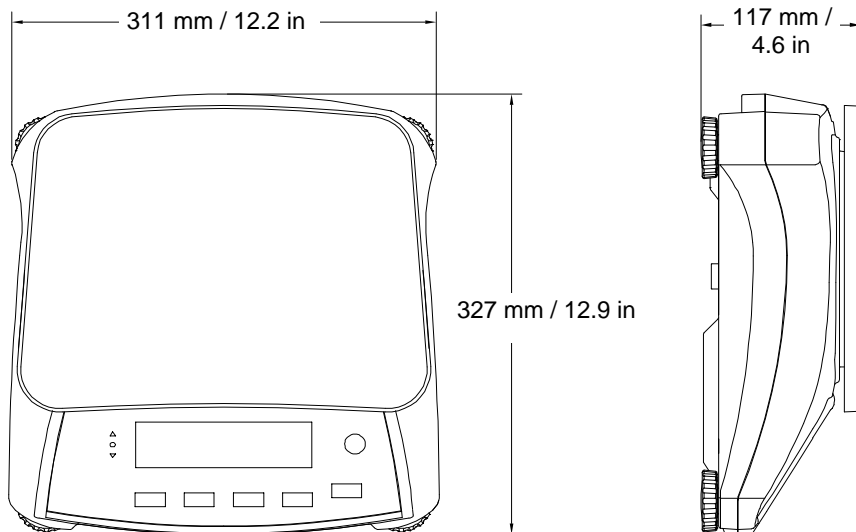


Figure 7-1. Dimensions

## 7.3 Communication

The scale is equipped with an RS232 interface located under the Options Cover. Connecting the scale to a computer enables you to operate the scale from the computer, as well as receive data such as displayed weight.

### 7.3.1 Interface Commands

Communicate to the scale using the command characters listed in Table 7-2.

TABLE 7-2

Command	Function
IP	Immediate Print of displayed weight (stable or unstable).
P	Print displayed weight (stable or unstable).
CP	Continuous Print.
SP	Print on Stability.
xS	0S: Turn off "Stable Only" menu item and allow unstable print. 1S: Turn on "Stable Only" menu item and only print stable print.
xP	Interval Print x = Print Interval (1-3600 sec), 0P turns auto print OFF.
Z	Same as pressing Zero Key.
T	Same as pressing Tare Key.
xT	Download Tare value in grams (positive values only). Sending 0T clears tare (if allowed).
PU	Print current unit: g, kg, lb, oz, lb:oz, t, c (custom).
xU	Set scale to unit x: 1=g, 2=kg, 3=lb, 4=oz, 5=lb:oz, 6=t.
xM	Set scale to mode x. M will scroll to next enabled mode.
PV	Version: print name, software revision and LFT ON (if LFT is set ON).
H x "text"	Enter Header line, where x = line number 1 to 5, "text" = header text up to 24 alphanumeric characters.
F x "text"	Enter Footer line, where x = line number 1 to 2, "text" = rear text up to 24 alphanumeric characters.
\EscR	Global reset to reset all menu settings to the original factory defaults. (Escape key + 'R' Key)

### 7.3.2 Connections for RS232

The 9-pin female subminiature "D" connector COM1, is provided for interfacing to other devices. The pin connections are as follows:

Active pins: PIN 2 = TXD, PIN 3 = RXD, PIN 5 = Ground

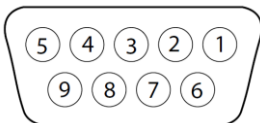


Figure 7-2. RS232 Pins

### 7.4 Printouts

The following sample print outs are generated by the **Print** button, “P” Command or alternate print command. The content of the printout is defined in the Print Content menu item.

#### Weigh Mode Printout

	Description	Comment
12.34 kg	Result line	If Printx → Content → Result is ON
12.34 kg G	Gross value line	If Printx → Content → Gross is ON and a tare value is entered
11.11 kg N	Net value line	If Printx → Content → Net is ON and a tare value is entered
1.23 kg T	Tare value line	If Printx → Content → Tare is ON and a tare value is entered
<no line printed>	Information line	If Printx → Content → Info is ON
MODE: WEIGH	Mode line	If Printx → Content → Application Mode is ON. Info is ON

#### Weigh Mode with Accumulation Printout

	Description	Comment
12.34 kg	Result line	If Printx → Content → Result is ON
12.34 kg G	Gross value line	If Printx → Content → Gross is ON and a tare value is entered
11.11 kg N	Net value line	If Printx → Content → Net is ON and a tare value is entered
1.23 kg T	Tare value line	If Printx → Content → Tare is ON and a tare value is entered
MODE: WEIGH	Mode line	If Printx → Content → Application Mode is ON. Info is ON.
N: 4	Accumulation line	If Printx → Content → Accu is All
TOTAL: 45.78 kg	Accumulation line	If Printx → Content → Accu is All
MIN: 11.11 kg	Accumulation line	If Printx → Content → Accu is All
MAX: 14.85 kg	Accumulation line	If Printx → Content → Accu is All

**Percent Mode Printout**

	<b>Description</b>	<b>Comment</b>
102.83 %	Result line	If Printx → Content → Result is ON
12.34 kg G	Gross value line	If Printx → Content → Gross is ON and a tare value is entered
11.11 kg N	Net value line	If Printx → Content → Net is ON and a tare value is entered
1.23 kg T	Tare value line	If Printx → Content → Tare is ON and a tare value is entered
MODE: PERCNT	Mode line	If Printx → Content → Application Mode is ON
REF WGT: 12 kg	Information line	If Printx → Content → Info is ON

**Count Mode Printout**

	<b>Description</b>	<b>Comment</b>
2222 PCS N	Result line	If Printx → Content → Result is ON
12.34 kg G	Gross value line	If Printx → Content → Gross is ON and a tare value is entered
11.11 kg N	Net value line	If Printx → Content → Net is ON and a tare value is entered
1.23 kg T	Tare value line	If Printx → Content → Tare is ON and a tare value is entered
MODE: COUNT	Mode line	If Printx → Content → Application Mode is ON
APW: 5 g	Information line	If Printx → Content → Info is ON

**Check (Weigh) Mode Printout**

	<b>Description</b>	<b>Comment</b>
12.34 kg OVER	Result line	If Printx → Content → Result is ON, UNDER/ACCEPT/OVER
12.34 kg G	Gross value line	If Printx → Content → Gross is ON and a tare value is entered
11.11 kg N	Net value line	If Printx → Content → Net is ON and a tare value is entered
1.23 kg T	Tare value line	If Printx → Content → Tare is ON and a tare value is entered
MODE: CHECKWEIGH	Mode line	If Printx → Content → Application Mode is ON
UNDER TARGET: 1.00 kg	Information line	If Printx → Content → Info is ON
OVER TARGET: 2.00 kg	Information line	If Printx → Content → Info is ON



**Dynamic Mode Printout**

		<b>Description</b>	<b>Comment</b>
12.34	kg	Result line	If Printx → Content → Result is ON
12.34	kg G	Gross value line	If Printx → Content → Gross is ON and a tare value is entered
11.11	kg N	Net value line	If Printx → Content → Net is ON and a tare value is entered
1.23	kg T	Tare value line	If Printx → Content → Tare is ON and a tare value is entered
<b>MODE: DYNAMIC</b>		Mode line	If Printx → Content → Application Mode is ON
<b>LEVEL: 10</b>		Information line	If Printx → Content → Info is ON

**7.5 Output Format**

The printout string has a fixed length of 22 characters for most applications except check weighing. For check weighing mode, the printout string has a fixed length of 29 characters. Weight string print format:

**Check Weighing application:**

Field	Weight (Right aligned)	Space	Unit (Right aligned)	Space	Stability (?)	Space	T/N/G/PT (Right aligned)	Space	Application Status (Right aligned)	Term.
<b>Length</b>	11	1	5	1	1	1	2	1	6	2

**Non-Check Weighing application:**

Field	Weight (Right aligned)	Space	Unit (Right aligned)	Space	Stability (?)	Space	T/N/G/PT (Right aligned)	Term.
<b>Length</b>	11	1	5	1	1	1	2	2

Each field is followed by a single delimiting space (ASCII: 32).

Definitions:

**Weight** - Up to 11 characters, right justified, - at immediate left of most significant character (if negative).

**Unit** - Up to 5 characters, right justified. If the Unit in the Print Content menu was set to OFF, the unit will be removed in the weight string and replaced by spaces.

**Stability** - “?” character is printed if not stable. If weight is a space is printed.

**T/N/G/PT** - “T” is printed for a tare weight, “N” printed if weight is net weight, ‘G’ or nothing printed if weight is a gross weight, ‘PT’ is printed if the tare weight is Pre-set Tare.

**Application Status (for Check)** – Fixed to 6 characters. Display status like " Under", "Accept" and "Over" for check weighing.

**Terminating Character(s)** - terminating character(s) printed depending on FEED menu setting.

**LIMITED WARRANTY**

OHAUS products are warranted against defects in materials and workmanship from the date of delivery through the duration of the warranty period. During the warranty period OHAUS will repair, or, at its option, replace any component(s) that proves to be defective at no charge, provided that the product is returned, freight prepaid, to OHAUS. This warranty does not apply if the product has been damaged by accident or misuse, exposed to radioactive or corrosive materials, has foreign material penetrating to the inside of the product, or as a result of service or modification by other than OHAUS. In lieu of a properly returned warranty registration card, the warranty period shall begin on the date of shipment to the authorized dealer. No other express or implied warranty is given by OHAUS Corporation. OHAUS Corporation shall not be liable for any consequential damages.

As warranty legislation differs from state to state and country to country, please contact OHAUS or your local OHAUS dealer for further details.

## 1. INTRODUCCIÓN

Este manual contiene las instrucciones de instalación, operación y mantenimiento de la serie Ranger™ 2000. Por favor lea completamente el manual antes de usar la báscula.

### 1.1 Definición de las advertencias y de los símbolos

Indicaciones de seguridad están marcados con las palabras de advertencia y símbolos de advertencia. Estos problemas de seguridad para espectáculos y advertencias. Haciendo caso omiso de las indicaciones de seguridad puede provocar lesiones personales, daños al instrumento, mal funcionamiento y resultados falsos.

#### Palabras de advertencia

**PRECAUCIÓN** para una situación peligrosa con riesgo bajo, lo que podría dañar el equipo o la propiedad, o la pérdida de datos, o lesiones si no se evita.

Tenga en cuenta (sin símbolo)  
Para obtener información útil sobre el producto

#### Símbolos de advertencia



Símbolo de atención



Corriente Alterna

### 1.2 Precauciones de seguridad

Por favor siga estas precauciones de seguridad:

- Verifique que el voltaje de entrada por CA impreso en la etiqueta de datos coincide con el voltaje de la fuente de corriente de CA.
- No deje caer objetos en la plataforma.
- Asegúrese de que el cable de corriente no represente un posible obstáculo o peligro de tropiezo.
- Utilice sólo los accesorios y periféricos aprobados.
- Utilice la báscula sólo en las condiciones ambientales especificadas en estas instrucciones.
- Desconecte la báscula de la fuente de corriente cuando la esté limpiando.
- No utilice la báscula en entornos peligrosos o inestables.
- No sumerja la báscula en agua u otros líquidos.
- No coloque la báscula al revés sobre la plataforma.
- Utilice sólo pesos dentro de la capacidad de la báscula como se especifica en estas instrucciones.
- El mantenimiento debe realizarse solamente por el personal autorizado.
- Utilice únicamente un cable de alimentación con una capacidad superior a la especificada en la etiqueta del equipo.

### 1.3 Uso previsto

Este instrumento está previsto para ser utilizado en comercios y en la industria ligera. Solo debe ser utilizado para medir los parámetros descritos en estas instrucciones de funcionamiento. Cualquier otro tipo de uso y funcionamiento más allá de los límites de las especificaciones técnicas, sin el consentimiento por escrito de OHAUS, se considera como uso no preaviso. Este instrumento cumple con las normas vigentes en el sector y con las regulaciones de seguridad establecidas; sin embargo, puede constituir un peligro durante su uso. Si el instrumento no se utiliza de acuerdo con estas instrucciones de uso, la protección prevista por el instrumento puede verse perjudicada.

## 2. INSTALACIÓN

### 2.1 Contenido del paquete

- Báscula
- Plato
- Subplataforma
- Cable de corriente
- Manual de instrucciones/CD
- Pesos con gancho
- Tarjeta de garantía

### 2.2 Instalación de componentes

Instale la subplataforma y el plato de metal como se muestra a continuación. Pulse para bloquear la subplataforma en su sitio.

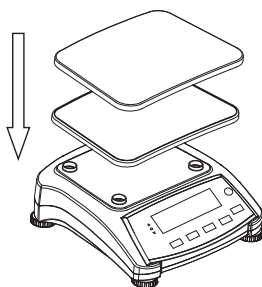


Figura 2-1 Instalación de la subplataforma y el plato de metal

### 2.3 Selección de la ubicación

Use la báscula en una superficie firme y segura. Evite lugares con corrientes de aire excesivas, vibraciones, fuentes de calor o cambios bruscos de temperatura. Deje suficiente espacio libre alrededor de la báscula.

### 2.4 Nivelación del equipo

La serie Ranger tiene un indicador de nivel que se utiliza como recordatorio de que la báscula se debe nivelar para lograr un pesaje preciso. Hay una burbuja de nivel en una pequeña ventana redonda en la parte frontal de la báscula.

Para nivelar la báscula, ajuste las patas niveladoras para que la burbuja esté centrada en el círculo.

Asegúrese de que el equipo esté nivelado cada vez que cambia su ubicación.

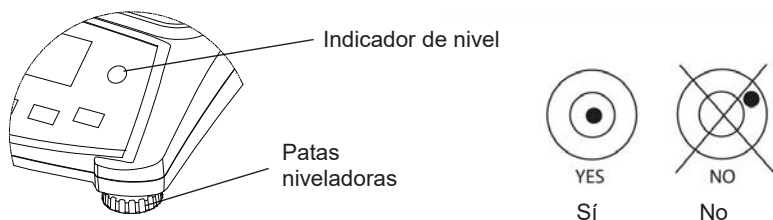


Figura 2-2 Indicador de nivel

### 2.5 Conexión a la red eléctrica

El voltaje eléctrico CA se utiliza para dar corriente a la báscula cuando la alimentación por baterías no es necesaria. Primero, conecte el cable de corriente CA (suministrado) al jack de entrada de corriente y después conecte el enchufe CA a la toma eléctrica.

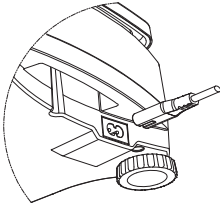


Figura 2-3A Conecte el enchufe del corriente CA al jack de entrada en la parte posterior de la báscula.

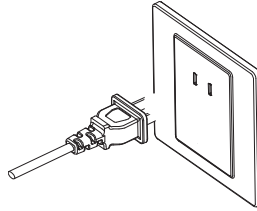


Figura 2-3B. Conecte el enchufe de corriente CA a la alimentación CA.

#### 2.5.1 Alimentación por baterías:

La báscula puede utilizarse directamente con alimentación de CA. La báscula cambiará automáticamente al modo de funcionamiento con batería si se produce un fallo de alimentación o se retira el cable de alimentación. La báscula puede funcionar durante la carga y la batería está protegida contra sobrecargas.

Para obtener el máximo tiempo de funcionamiento, la batería debe cargarse a temperatura ambiente.

Deje que la batería se cargue durante 12 horas antes de utilizar la báscula con la alimentación de la batería.

Durante el funcionamiento con batería, el símbolo de la batería indica el estado de carga de la batería (consulte el elemento 9 en la tabla 3-2). Durante la carga, el símbolo parpadeará lentamente y se apagará cuando esté totalmente cargada.

TABLA 2-1

Símbolo	Nivel de carga
	Batería en uso: Símbolo que aparece

Notas:

Cuando el símbolo de batería parpadea rápidamente, quedan aproximadamente 30 minutos de tiempo de trabajo.

Cuando se muestre [Lo. bAt], la báscula se apagará.

La carga de la báscula debe realizarse en un ambiente seco.



**PRECAUCIÓN:** La batería sólo debe reemplazarla un distribuidor de Ohaus autorizado. Puede existir riesgo de explosión si la batería recargable se reemplaza por el tipo incorrecto o si no está correctamente conectada. La eliminación de la batería ácida de plomo debe hacerse de acuerdo a las leyes y normativas locales.

### 3. FUNCIONAMIENTO

#### 3.1 Controles

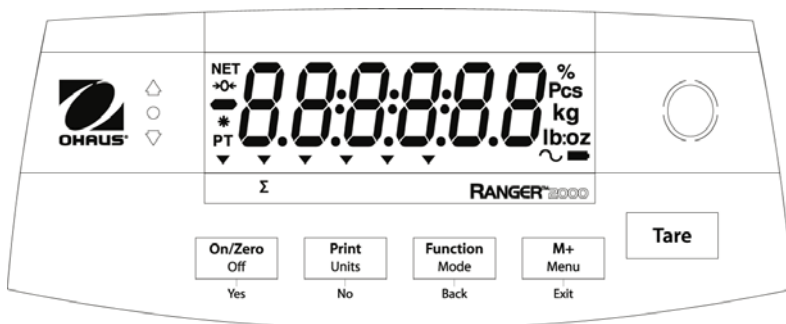


Figura 3-1 Panel de control de la Ranger 2000 con pantalla LCD

TABLA 3-1. Funciones de las teclas

Tecla	On/Zero Off	Print Units	Function Mode	M+ Menu	Tare
	Yes	No	Back	Exit	
Función primaria (Pulsación corta)	<b>On/Zero</b> Enciende la báscula  Si la báscula está encendida, la pone a cero	<b>Print</b> Envía el valor actual a los puertos COM seleccionados si la función AUTOPRINT está configurada a cero.	<b>Function</b> Inicia un modo de aplicación.	<b>M+</b> Acumula un peso o muestra la información acumulada a carga 0.	<b>Tare</b> Introduce/limpia un valor de tara. Limpia la acumulación cuando se muestra la información acumulada.
Función secundaria (Pulsación larga)	<b>Off</b> Apaga la báscula.	<b>Units</b> Cambia la unidad de pesaje.	<b>Mode</b> Permite cambiar el modo de la aplicación.	<b>Menu</b> Accede al menú de usuario.	
Función del menú (Pulsación corta)	<b>Yes</b> Acepta la configuración que está actualmente en la pantalla.	<b>No</b> Avanza al siguiente menú o punto del menú. Rechaza la configuración que está actualmente en la pantalla y avanza a la siguiente configuración disponible.	<b>Back</b> Vuelve al elemento del menú anterior.	<b>Exit</b> Sale del menú de usuario. Aborta la calibración en progreso.	

**Notas:** <sup>1</sup> Pulsación corta: Pulsar menos de 1 segundo.

<sup>2</sup> Pulsación larga: Pulsar y mantener más de 2 segundos.

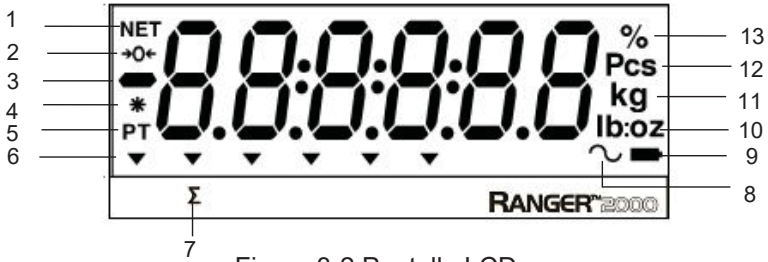


Figura 3-2 Pantalla LCD

TABLA 3-2 Símbolos LCD

Elemento	Descripción	Elemento	Descripción
1	Símbolo de NET	8	Símbolo de Dinámico (Tilde)
2	Símbolo de Centro de cero	9	Símbolo de Cargador de batería
3	Símbolo de Negativo	10	Símbolos de Libra, Onza, Libra:Onza
4	Símbolo de Peso estable	11	Símbolos de Kilogramo, Gramo
5	Símbolos de Tara preseleccionada, Tara	12	Símbolo de Piezas
6	Símbolos de Puntero	13	Símbolo de Porcentaje
7	Símbolo de Acumulación		

Los indicadores LED coloreados en la parte izquierda del panel de control se utilizan en modo comprobar (sección 3.6) y se encenderán según las siguientes normas:

- ⬆ (Rojo) Cargas > límite superior
- (Verde) Cargas  $\geq$  límite inferior y  $\leq$  límite superior
- ⬇ (Amarillo) Cargas < Límite inferior

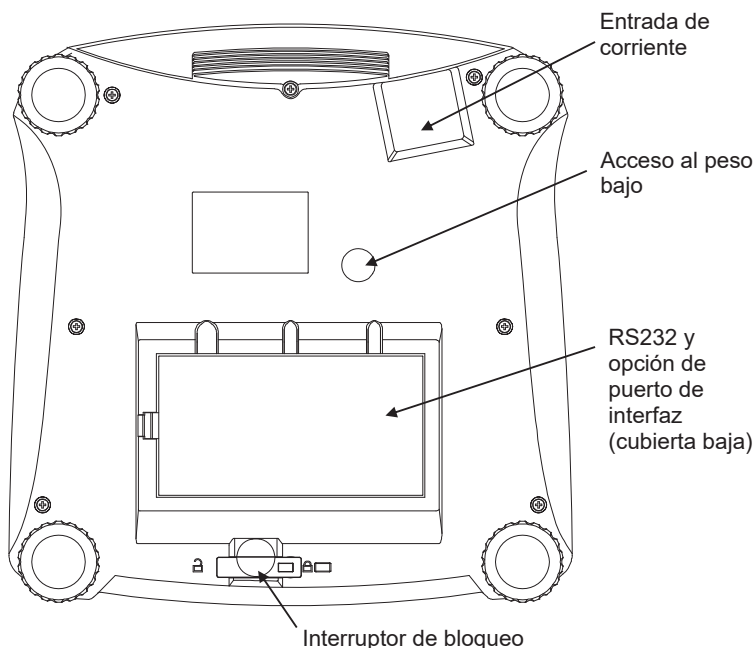


Figura 3-4 Imagen inferior de la Ranger 2000

### 3.2 Apagado y encendido de la báscula

Para encender la báscula, mantenga pulsada la tecla **On/Zero Off** durante 1 segundo. La báscula realiza una prueba de pantalla, muestra momentáneamente la versión del software y después entra al modo de pesaje activo.

Para apagar la báscula, mantenga pulsada la tecla **On/Zero Off** hasta que se muestre OFF.

### 3.3 Modo de pesaje

Este modo es el ajuste predeterminado de fábrica.

1. Si fuera necesario, mantenga pulsado **Mode** hasta que se muestre en pantalla **[WEIGH]**.
2. Si fuera necesario, coloque un recipiente vacío en el plato y pulse **Tare**.
3. Añada una muestra al plato o contenedor. La pantalla muestra el peso de la muestra.



### 3.4 Modo de porcentaje

Este modo mide el peso de una muestra como un porcentaje de un peso de referencia.

1. Si fuera necesario, coloque un recipiente vacío en el plato y pulse **Tare**.
2. Mantenga pulsado **Mode** hasta que se muestre en pantalla [**PERcnt**]. Se mostrará en la pantalla [**CLr.rEF**]. Si no existe peso de referencia, la báscula mostrará en la pantalla [**Pwt.rEF**], continúe con el paso 5.
3. Pulse **No** para almacenar el peso de referencia y continúe con el paso 6.
4. Pulse **Yes** para establecer una nueva referencia. La báscula mostrará ahora en la pantalla [**Pwt.rEF**].
5. Añada el material de referencia deseado al plato o contenedor. Pulse **Yes** para almacenar el peso de referencia. La pantalla muestra 100%.
6. Reemplace el material de referencia con el material de muestra. La pantalla muestra el porcentaje de la muestra comparado con el peso de referencia.
7. Para limpiar la referencia almacenada, mantenga pulsado **Mode** hasta que se muestre en la pantalla [**PERcnt**]. Pulse **Yes** cuando se muestre en la pantalla [**CLr.rEF**].

Nota: Pulse **Function** para visualizar el peso de referencia actual.

### 3.5 Modo de recuento

Este modo cuenta números grandes de artículos basándose en el peso de un cálculo de referencia.

1. Coloque un recipiente vacío en el plato y pulse **Tare**.
2. Mantenga pulsado **Mode** hasta que se muestre en pantalla [**Count**]. Se mostrará en la pantalla [**CLr.PWJ**] (Limpiar APW).  
Si no existe peso de referencia, la báscula mostrará en la pantalla [**Pwt. 0**], avance hasta el paso 5.
3. Pulse **No** para utilizar el APW almacenado. Continúe hasta el paso 7.
4. Pulse **Yes** para establecer un APW.
5. La báscula mostrará en la pantalla el tamaño de la muestra almacenada, p. ej. [**Pwt. 10**]. Pulse **No** o **Back** para alternar las opciones (5, 10, 20, 50 o 100).
6. Coloque el número de piezas indicado en el plato, después pulse **Yes** para calcular el APW. La pantalla mostrará el recuento de piezas.
7. Añada más piezas hasta alcanzar el recuento deseado.
8. Para limpiar el APW almacenado, mantenga pulsado **Mode** hasta que se muestre en la pantalla [**Count**]. Pulse **Yes** cuando se muestre en la pantalla [**CLr.PWJ**].

Nota: Pulse **Function** para visualizar el APW actual.

### 3.6 Modo Comprobar

Utilice este modo para comparar el peso, porcentaje o recuento de artículos con un rango de peso objetivo. La báscula soporta la pesada de chequeo positiva, negativa y cero. Consulte la sección 4.5 para configurar el submodo de comprobación deseado.

#### 3.6.1 Pesada de chequeo

Configure Checkweigh (Pesada de chequeo) a Weight (Peso) en el menú Mode. Utilice este modo para comparar el peso de los artículos con un rango de peso objetivo.

1. Mantenga pulsado **Mode** hasta que se muestre en pantalla [**CHCK+**] [**CL.L IFM**] se

mostrará en la pantalla.

2. Pulse **No** para almacenar los límites de comprobación y continúe con el paso 5.
3. Pulse **Yes** para establecer unos nuevos límites de referencia. La báscula mostrará en la pantalla [**SEt. Lo**]. Pulse **Yes** para visualizar el valor límite "Bajo". Pulse **Yes** para aceptar o **No** para editar el valor límite "Bajo". El valor almacenado se mostrará entonces en la pantalla con el primer dígito resaltado [**000.000** kg]. Pulse repetidamente **No** hasta que aparezca el número deseado. Pulse **Yes** para aceptar y resaltar el dígito siguiente. Repita hasta que todos los dígitos sean correctos. Pulse **Yes** para aceptar el valor límite "bajo", se mostrará en la pantalla [**SEt. H .**].
4. Repita el mismo procedimiento para aceptar o editar el valor "alto".
5. Si fuera necesario, coloque un recipiente vacío en el plato y pulse **Tare**.
6. Coloque el material de muestra en el plato o en el contenedor. Si el peso de la muestra es inferior al rango de peso objetivo, se encenderá el LED amarillo.  
Si la muestra se encuentra dentro del rango de peso objetivo, se encenderá el LED verde.  
Si la muestra es superior al rango de peso objetivo, se encenderá el LED rojo.

Nota: Pulse **Function** para visualizar los límites de comprobación bajo y alto.

### 3.6.2 Comprobar Porcentaje

Configure Checkweigh (Pesada de chequeo) a Percent (Porcentaje) en el menú Mode. Utilice este modo para comparar el porcentaje de los artículos con un rango de porcentaje objetivo.

1. Mantenga pulsado **Mode** hasta que se muestre en pantalla [**CHECK**]. Se mostrará en la pantalla [**Lr.rEF**]. Si no existe peso de referencia, la báscula mostrará en la pantalla [**Pwt.rEF**], continúe con el paso 4.
2. Pulse **No** para almacenar el peso de referencia y continúe con el paso 5.
3. Pulse **Yes** para establecer una nueva referencia. La báscula mostrará ahora en la pantalla [**Pwt.rEF**].
4. Añada el material de referencia deseado al plato o contenedor. Pulse **Yes** para almacenar el peso de referencia.
5. La báscula mostrara en la pantalla [**L.L. 100**] (Limpiar límites de comprobación).
6. Pulse **No** para usar los límites de comprobación almacenados y continúe con el paso 9.
7. Pulse **Yes** para establecer unos nuevos límites de referencia. La báscula mostrará en la pantalla [**SEt. Lo**]. Pulse **Yes** para visualizar el valor límite "Bajo". Pulse **Yes** para aceptar o **No** para editar el valor límite "Bajo". El valor almacenado se mostrará entonces en la pantalla con el primer dígito resaltado [**000.000** %]. Pulse repetidamente **No** hasta que aparezca el número deseado. Pulse **Yes** para aceptar y resaltar el dígito siguiente. Repita hasta que todos los dígitos sean correctos. Pulse **Yes** para aceptar el valor límite "bajo", se mostrará [**SEt. H .**] en la pantalla.
8. Repita el mismo procedimiento para aceptar o editar el valor "alto".
9. Si fuera necesario, coloque un recipiente vacío en el plato y pulse **Tare**.
10. Coloque el material de muestra en el plato o en el contenedor. Si el peso de la muestra es inferior al rango del porcentaje objetivo, se encenderá el LED amarillo. Si la muestra está dentro del rango de porcentaje objetivo, se encenderá el LED verde. Si la muestra está por encima del rango de porcentaje objetivo, se encenderá el LED rojo.

Nota: Pulse **Function** para visualizar los límites de comprobación bajo y alto.

### 3.6.3 Comprobar Recuento

Configure Checkweigh (Pesada de chequeo) a Count (Recuento) en el menú Mode. Utilice este modo para comparar la cantidad de los artículos con un rango de cantidades objetivo.

1. Mantenga pulsado **Mode** hasta que se muestre en pantalla [**CHEC**]. [**CLr.PW**] (Limpiar APW) se mostrará en la pantalla.  
Si no existe peso (APW) de referencia, la báscula mostrará en la pantalla [**Pwt. 0**], avance hasta el paso 5.
2. Pulse **No** para usar el APW almacenado y continúe con el paso 5.
3. Pulse **Yes** para establecer un nuevo APW. La báscula mostrará ahora en la pantalla [**Pwt. 0**]. Pulse **No** o **Back** para alternar las opciones (5, 10, 20, 50 o 100).
4. Coloque el número de piezas indicado en el plato, después pulse **Yes** para calcular el APW.
5. La báscula mostrará en la pantalla [**CLL 000**] (Limpiar límites de comprobación).
6. Pulse **No** para usar los límites de comprobación almacenados y continúe con el paso 9.
7. Pulse **Yes** para establecer unos nuevos límites de referencia. La báscula mostrará en la pantalla [**SEt. Lo**]. Pulse **Yes** para visualizar el valor límite "Bajo". Pulse **Yes** para aceptar o **No** para editar el valor límite "Bajo". El valor almacenado se mostrará entonces en la pantalla con el primer dígito resaltado [**000000** Pcs]. Pulse repetidamente **No** hasta que aparezca el número deseado. Pulse **Yes** para aceptar y resaltar el dígito siguiente. Repita hasta que todos los dígitos sean correctos. Pulse **Yes** para aceptar el valor límite "bajo", se mostrará [**SEt. Hi**] en la pantalla.
8. Repita el mismo procedimiento para aceptar o editar el valor "alto".
9. Si fuera necesario, coloque un recipiente vacío en el plato y pulse **Tare**.
10. Coloque el material de muestra en el plato o en el contenedor. Si el peso de la muestra es inferior al rango de cantidad objetivo, se encenderá el LED amarillo. Si la muestra está dentro del rango de cantidad objetivo, se encenderá el LED verde. Si la muestra está por encima del rango de cantidad objetivo, se encenderá el LED rojo.

Nota: Pulse **Function** para visualizar los límites de comprobación bajo y alto.

#### Comprobación positiva

La comprobación positiva se utiliza para determinar si el material añadido a la báscula se encuentra dentro del rango objetivo. En este caso, los límites INFERIOR y SUPERIOR deben ser valores positivos. (El límite SUPERIOR debe ser mayor al límite INFERIOR).

Añada material a la báscula hasta que se encuentre dentro del rango ACEPTADO (verde).

#### Comprobación negativa

La comprobación negativa se utiliza para determinar si el material retirado de la báscula se encuentra dentro del rango objetivo. En este caso, los límites INFERIOR y SUPERIOR deben ser valores negativos.

El límite INFERIOR debe ser mayor al límite SUPERIOR (Por ejemplo: INFERIOR = -10 / SUPERIOR = -5).

Coloque el artículo a pesar en la báscula y pulse **TARE**.

Retire una parte del artículo hasta que se encuentre dentro del rango ACEPTADO.

#### Comprobación Cero

La comprobación cero se utiliza para comparar las muestras que van detrás de la muestra de referencia inicial. En este caso, el límite INFERIOR debe ser un valor negativo y el límite SUPERIOR debe ser un valor positivo. Coloque el artículo de referencia en la báscula y pulse **TARE**. Retire la muestra de referencia y coloque el artículo a comparar en la báscula para determinar si se encuentra dentro del rango ACEPTADO.

### 3.7 Modo Dinámico

Este modo permite al usuario pesar una carga inestable como por ejemplo un animal que se mueve. El peso se mantiene en la pantalla hasta que se reinicia. Están disponibles los métodos de inicio/reinicio manual, semiautomático y automático.

**Funcionamiento manual** (DINÁMICO se configura a MANUAL en el menú Modo):

1. Mantenga pulsado **Mode** hasta que se muestre en pantalla [джнррп]. [rERdy] (Listo) se mostrará entonces en la pantalla.
2. Coloque la carga en el plato y pulse la tecla **Function** para comenzar la medición. Durante el periodo medio, el temporizador disminuye en incrementos de un segundo.
3. Después de completar la cuenta atrás, el peso medio se mostrará en la pantalla. El símbolo de la tilde (DINÁMICO) parpadeará indicando que se mantiene el peso actual.
4. Restablezca manualmente el temporizador pulsando la tecla **Function**. [rERdy] se mostrará entonces en la pantalla.

**Nota:** Si se ha seleccionado Set0, no se mostrará en la pantalla el temporizador. Se mostrará y permanecerá en la pantalla el primer peso estable mayor que 5d.

**Funcionamiento semiautomático** (DINÁMICO se configura a SEMI en el menú Modo):

1. Mantenga pulsado **Mode** hasta que se muestre en pantalla [джнррп] (Dinámico). [rERdy] se mostrará entonces en la pantalla.
2. Coloque la carga en el plato para comenzar la medición. Durante el periodo medio, el temporizador disminuye en incrementos de un segundo.
3. Después de completar la cuenta atrás, el peso medio se mostrará en la pantalla. El símbolo de la tilde (DINÁMICO) parpadeará indicando que se mantiene el peso actual.
4. Restablezca manualmente el temporizador pulsando la tecla **Function**. [rERdy] se mostrará entonces en la pantalla.

**Nota:** Si se ha seleccionado Set0, no se mostrará en la pantalla el temporizador. Se mostrará y permanecerá en la pantalla el primer peso estable mayor que 5d.

**Funcionamiento automático** (DINÁMICO se configura a AUTOMÁTICO en el menú Modo):

1. Mantenga pulsado **Mode** hasta que se muestre en pantalla [джнррп]. [rERdy] se mostrará entonces en la pantalla.
2. Coloque la carga en el plato para comenzar la medición. Durante el periodo medio, el temporizador disminuye en incrementos de un segundo.
3. Después de completar la cuenta atrás, el peso medio se mostrará en la pantalla. El símbolo de la tilde (DINÁMICO) parpadeará indicando que se mantiene el peso actual.
4. Retire la carga y la pantalla se reiniciará después de 10 segundos, después, se mostrará en la pantalla [rERdy].

**Notas:** Si se ha seleccionado Set0, no se mostrará en la pantalla el temporizador. Se mostrará y permanecerá en la pantalla el primer peso estable mayor que 5d. De forma alternativa, la pantalla podrá reiniciarse manualmente pulsando la tecla **Function**.

### 3.8 Acumulación y estadísticas

La función Acumulación permite la totalización manual o automática de los valores que se muestran en pantalla. Los datos estadísticos se almacenan en memoria para su revisión e impresión. La acumulación funciona junto con cada modo de aplicación excepto con Dinámico.

### 3.8.1 Acumulación de los valores mostrados

Con ACUMULACIÓN configurada a MANUAL, coloque el artículo en la báscula y pulse la tecla **M+** para añadir el peso a los datos acumulados. La imagen  $\Sigma$  seguirá parpadeando hasta que se retire el peso.

Con ACUMULACIÓN configurada a AUTO, coloque el artículo en la báscula. El valor mostrado se acumula de forma automática. La imagen  $\Sigma$  seguirá parpadeando hasta que se retire el peso.

### 3.8.2 Visualizar y borrar datos estadísticos

Cuando el plato esté libre, pulse la tecla **M+** para mostrar en la pantalla la información estadística. Para limpiar los datos acumulados, pulse la tecla **Tare** mientras se muestra en pantalla la información estadística. La pantalla muestra [**CLR.ACC**]. Pulse la tecla **Yes** para limpiar los datos almacenados y volver al modo actual.

**Notas:** El artículo debe retirarse del palto antes de que se pueda acumular el siguiente artículo.

Sólo se almacenan a los datos de acumulación los pesos estables.

El cambio de modo limpiará los datos acumulados.

#### Ejemplo:

En modo pesaje, submenú ajuste **ACCUM**, seleccione **STAT**:

Si fuera necesario, coloque un recipiente vacío en el plato y pulse **Tare**.

Paso i: Coloque el peso (0.04 kg) en el plato y pulse la tecla **M+**: El indicador de la imagen  $\Sigma$  seguirá parpadeando hasta que se retire el peso.

Paso ii: Retire el peso del plato. Coloque otro peso (0.03 kg) y pulse la tecla **M+**:

Paso iii: Retire el peso del plato.

Paso iv: Pulse la tecla **M+** para mostrar en la pantalla la información estadística:

Paso v: Si fuera necesario, siga la sección 3.8.2 para limpiar los datos acumulados.



### 3.9 Características adicionales

Para utilizar la función de gancho de Pesaje Inferior, desconecte la alimentación de la báscula y retire la cubierta protectora de la abertura de pesaje inferior.

Instale el gancho (accesorio) en el orificio de acceso de la parte inferior de la báscula, tal como

se muestra. No apriete demasiado, apriete con los dedos. Instale la báscula en un soporte adecuado que permita un espacio de trabajo libre debajo del gancho. Consulte la figura 3-5.

## 4. CONFIGURACIONES DE MENÚ

El Menú de usuario permite personalizar las configuraciones de la báscula.

Nota: Los submenús adicionales pueden estar disponibles si las Opciones de interfaz están instaladas. Consulte el Manual del Usuario de la Interfaz para más información sobre la configuración.

### 4.1 Menú de navegación

Menú de usuario:

Menú:	<i>C.A.L</i>	<i>S.E.t.U.P</i>	<i>r.E.a.d</i>	<i>M.O.d.E</i>	⇒
Elementos del menú:	Span Lin GEO End	Reset Pwr.Un Zero A.Tare Bp.Sig Bp.Key Accum End	Reset Stable Filter AZT Light Sleep A.Off End	Reset Weigh Percent Count Check Dynam End	
⇒	<i>U.n.i.t</i>	<i>P.r.i.n.t.1</i>	<i>C.O.M</i>	<i>L.O.C.k</i>	<i>E.n.d</i>
Elementos del menú:	Reset kg g lb oz lb:oz End	Reset Stable A.Print Contnt Layout Data.Tr End	Reset Baud Parity Stop Handsh Alt.Cm End	L.Cal L.Setup L.Read L.Mode L.Unit L.Print L.COM End	

#### Notas:

Puede que algunos modos/unidades no estén disponibles en todos los modelos. Cuando LEGAL PARA EL COMERCIO está configurado en ON (el Interruptor de bloqueo en la posición bloqueado), las configuraciones de menú se ven afectadas de la siguiente manera:

El menú calibración (C.A.L) no está accesible.

La configuración de rango cero está bloqueada al 2%.

La configuración de rango estable está bloqueada en 1d.

La configuración de seguimiento de cero automático está bloqueada en 0.5d.

Las unidades están bloqueadas en sus configuraciones actuales.

Sólo estable se bloquea en ON.

La impresión automática/continua está desactivada.

Lb:oz se bloquea en Off.

Resumen de las funciones de navegación de teclas en el modo de menú:

- **Yes** Permite la entrada al menú mostrado.
  - Acepta la configuración mostrada y avanza al siguiente elemento.
- **No** Sale del menú mostrado.
  - Rechaza la configuración mostrada y avanza al siguiente elemento disponible.
- **Back** Desplaza hacia atrás a través de los menús de nivel superior y medio.
  - Sale de una lista de elementos seleccionables al menú de nivel medio anterior.

-- **Exit** Sale del menú directamente al modo de pesaje activo.

Para los elementos de menú con configuraciones numéricas como Capacidad, la configuración actual se muestra en la pantalla con todos los dígitos parpadeando.

Pulse la tecla **No** para comenzar la edición.

El primer dígito se muestra en la pantalla parpadeando.

Pulse la tecla **No** para aumentar el dígito o pulse la tecla **Yes** para aceptar el dígito e ir al siguiente dígito.

Repita este proceso con todos los dígitos.

Pulse la tecla **Yes** cuando se haya establecido el último dígito.

La nueva configuración se mostrará en la pantalla con todos los dígitos parpadeando. Pulse la tecla **Yes** para aceptar la configuración o pulse **No** para reanudar la edición.

Este método también se aplica a la configuración de los límites objetivo superior e inferior de Checkweigh (Pesada de chequeo).

Para los elementos de salida del menú, al pulsar la tecla **Yes** se avanza hasta el menú siguiente, mientras que si se pulsa la tecla **No** se vuelve a la parte superior del menú actual.



## 4.2 Menú de Calibración

La entrada a este menú se efectúa para realizar calibraciones.

### Calibración inicial

Cuando la báscula se utiliza por primera vez, se recomienda hacer una calibración de extensión para asegurar resultados de pesaje exactos. Antes de realizar la calibración, asegúrese de tener los pesos de calibración adecuados como se indican en la tabla 4-1. Asegúrese de que el interruptor LFT (LEGAL PARA EL COMERCIO) y el bloqueo de calibración están configurados en la posición Desbloqueado. Consulte la figura 5-1.

O adapte la configuración GEO según su ubicación (consulte la tabla 4-2).

### Procedimiento:

Mantenga pulsado **Menú** hasta que se muestre en pantalla [**MENU**]. Cuando suelte la tecla, la pantalla mostrará [**C.A.L.**]. Pulse **Yes** para aceptar. Entonces se mostrará en la pantalla [**SPAN**]. Pulse **Yes** para comenzar la calibración de extensión. Se mostrará en la pantalla [**0** kg]. Pulse **Yes** para aceptar. Mientras se almacena la lectura cero se mostrará en la pantalla [**--C--**]. Después, la pantalla mostrará el valor del peso de calibración. Coloque la masa de calibración especificada en el plato. Pulse **Yes** para aceptar el peso o **No** para seleccionar un peso alternativo. Mientras se almacena la lectura se mostrará en la pantalla [**--C--**]. La pantalla mostrará [**done**] si tuvo éxito la calibración. La báscula vuelve al modo de aplicación previo y está lista para usarse.

TABLA 4-1

Masa de calibración de extensión necesaria (se vende por separado)			
Máx.	Masa*	Máx.	Masa*
1.500g	1,5 kg / 3 lb	15.000g	15 kg / 30 lb
3.000g	3 kg / 6 lb	30.000g	30 kg / 60 lb
6.000g	6 kg / 15 lb		

**Nota:** \* Cuando la unidad activa es g o kg, la unidad de calibración será en kg.

Cuando la unidad activa es lb, oz o lb: oz, la unidad de calibración estará en lb

Para la calibración de linealidad, la Masa de calibración es fijo.

Punto medio es siempre la mitad de su capacidad total..

Span (Extensión):	Perform
Linearity (Linealidad):	Perform
Geographic Adjustment (Coeficiente de adaptación geográfica):	Set 0... <b>12</b> ...31*
End Calibration (Fin de la calibración):	Exit menu

\*Las **negritas** siempre representan el valor predeterminado de fábrica.

### Extensión [SPRN]

Inicia un procedimiento de calibración de extensión (cero y extensión)

### Linealidad [L #]

Inicia un procedimiento de calibración de linealidad (cero, punto medio y extensión).

### Coeficiente de adaptación geográfica [GEO]

El Coeficiente de Adaptación Geográfica (GEO) se utiliza para ajustar la calibración basándose en la localización actual. Las configuraciones de 0 a 31 están disponibles, siendo 12 el ajuste por defecto.

Consulte la tabla 4-2 para determinar el coeficiente GEO que corresponda con su localización.

### Fin de la calibración [End]

Avanza al siguiente menú o vuelve al principio del menú actual.

## 4.3 Menú de configuración

Acceda a este menú para configurar los parámetros de la báscula. Los ajustes predeterminados aparecen en negrita.

Reset (Restablecer):	<b>no</b> , yes
Power on unit (Unidad de medida en el encendido):	<b>auto</b> , kg, g, lb, oz, lb:oz
Zero Range (Rango cero):	2%, <b>10%</b>
Auto Tare (Tara automatic) :	<b>off</b> , on, on-acc
Beeper Signal (Señal de alerta sonora):	<b>off</b> , accept, under, over, under-over
Beeper Key (Tecla de alerta Sonora):	<b>off</b> , on
Accumulation (Acumulación) :	off, auto, <b>manual</b>
End Setup (Fin de Configuración):	Exit menu

### Restablecer [rESEt]

Restablece el menú de configuración a los valores predeterminados de fábrica.

- NO = No restablece
- YES = Restablece

### Unidad de medida en el encendido [Pwr.U]

Configura la unidad de medida visualizada al inicio.

- AUTO = la última unidad en uso cuando se apagó
- kg = kilogramos
- g = gramos
- lb = libras
- oz = onzas
- lb:oz = libra onza

### Rango cero [zEr0]

Configura el porcentaje de la capacidad de la báscula que se puede poner a cero.

- 2% = del cero hasta el 2 por ciento de la capacidad
- 10% = del cero hasta el 10 por ciento de la capacidad



**Tara automática [A.L.A.R.E]**

Configura la funcionalidad de tara automática.

- OFF = La tara automática está desactivada
- ON = Se tara el primer peso bruto estable
- ON-ACC = Se taran las cargas de peso bruto dentro de los límites de aceptación (en el modo Pesada de chequeo)

**Señal de alerta sonora [bP.5 G]**

Configura cómo debe responder la alerta sonora en el modo Pesada de chequeo.

- OFF = La alerta sonora está desactivada
- ACCEPT = La alerta sonará cuando el peso se encuentre dentro del rango aceptado.
- UNDER = La alerta sonará cuando el peso se encuentre por debajo de la configuración inferior.
- OVER-UNDER = La alerta sonará cuando el peso se encuentre por debajo de la configuración inferior o por encima de la configuración superior.
- OVER- = La alerta sonará cuando el peso se encuentre por encima de la configuración superior.

**Tecla de alerta sonora [bP.1.E9]**

Configura si la alerta ha de sonar cuando se pulsa una tecla.

- OFF = sin sonido
- ON = con sonido

**Acumulación [ACCUM]**

Configura la funcionalidad de acumulación.

- OFF = Acumulación desactivada
- AUTO = Acumulación automática
- MAN = Acumulación manual

**Fin de Configuración [End]**

Avanza al siguiente menú o vuelve al principio del menú actual.

**4.4 Menú de lectura**

Acceda a este menú para configurar las preferencias de usuario. Las pantallas LCD y LED tendrán diferentes elementos del menú o configuraciones basados en la funcionalidad. Los ajustes predeterminados aparecen en negrita.

Reset (Restablecer):	no, yes
Stable Range (Rango estable) :	0.5, <b>1</b> , 2, 5
Filter (Filtro):	low, <b>medium</b> , high
Auto-Zero Tracking Rastreo de cero automático:	off, <b>0.5</b> , 1, 3
Light (Luz):	low, <b>medium</b> , high
Sleep (Hibernación):	<b>off</b> , on
Auto off (Apagado automatic):	<b>off</b> , 1, 5, 10
End Readout (Fin de lectura):	Exit menu
<b>Nota:</b> * El valor AZT por defecto para el modelo R21PHE30 es «3».	

**Restablecer [rESEt]**

Restablece el menú de lectura a los valores predeterminados de fábrica.

- NO = No restablece
- YES =Restablece

**Rango estable [StABLE]**

Configura el valor de variación de la lectura mientras el símbolo de estabilidad permanece activado.

0.5d	= 0,5 de graduación de báscula
1d	= 1 de graduación de báscula
2d	= 2 de graduación de báscula
5d	= 5 de graduación de báscula

**Filtro [Filter]**

Configura la cantidad de filtrado de señales.

LOW	= menor estabilidad, tiempo de estabilización más rápido
MED	= estabilidad normal, tiempo de estabilización
HI	= mayor estabilidad, tiempo de estabilización más lento

**Rastreo de cero automático [Auto]**

Configura la funcionalidad de seguimiento de la puesta a cero automática.

OFF	= desactivado
0.5d	= La pantalla mantendrá el cero hasta que se supere un cambio de 0,5 divisiones por segundo.
1d	= La pantalla mantendrá el cero hasta que se supere un cambio de 1 división por segundo.
3d	= La pantalla mantendrá el cero hasta que se supere un cambio de 3 divisiones por segundo.

**Luz [Light]**

Modelos LCD:

Configura la funcionalidad de retroiluminación.

OFF	= Siempre desactivado
ON	= Siempre activado
AUTO	= Cambia cuando se pulsa una tecla o cuando cambia el peso que se muestra en la pantalla.

Modelos LED:

Configura la intensidad de luz.

LO	= Intensidad de luz baja
MED	= Intensidad de luz media
HI	= Intensidad de luz alta

**Hibernación [Sleep]**

Configura el tiempo de apagado de la pantalla.

OFF	= desactivado (la pantalla permanecerá activa hasta que se apague)
ON	= Si no se toca ninguna tecla o si no se realiza ninguna pesada, la pantalla se apaga pasado un minuto.

**Apagado automático [Auto Off]**

Configura la funcionalidad de apagado automático.

OFF	= desactivado
1	= Se apaga tras un minuto sin actividad
5	= Se apaga tras 5 minutos sin actividad
10	= Se apaga tras 10 minutos sin actividad

**Fin de lectura [End]**

Avanza al siguiente menú o vuelve al principio del menú actual.

### 4.5 Menú de modo

Este menú activa los modos de manera que estén disponibles para utilizarlos con la tecla Mode. Los ajustes predeterminados aparecen en negrita.

Reset (Restablecer):	<b>no</b> , yes
Weigh (Peso):	off, <b>on</b>
Percent (Porcentaje):	off, <b>on</b>
Count (Recuento):	off, <b>on</b>
Check (Comprobar):	<b>off</b> , <b>weigh</b> , percnt, count
Dynamic (Dinámico):	<b>off</b> , <b>man</b> , semi, auto
End Mode (Fin de modo):	Exit menu

#### Restablecer [RESEt]

Restablece el menú Modo a los valores predeterminados de fábrica.

NO = No restablece

YES = Restablece

#### Peso [WEIGH]

Configura el estado.

OFF = desactivado

ON = activado

#### Porcentaje [PERCENT]

Configura el estado.

OFF = desactivado

ON = activado

#### Recuento [COUNT]

Configura el estado.

OFF = desactivado

ON = activado

#### Comprobar [CHECK]

Configura el submodo

OFF = desactivado

WEIGH = Modo de peso

PERCNT = Modo de porcentaje

COUTN = Modo de recuento

#### Dinámico [DYNAMIC]

Configura el estado.

OFF = desactivado

MAN = La promediación y el reinicio se inician manualmente

SEMI = La promediación se inicia de manera automática

El reinicio se inicia manualmente

AUTO = La promediación y el reinicio se inician automáticamente

#### Fin de modo [End]

Avanza al siguiente menú o vuelve al principio del menú actual.

### 4.6 Menú de unidades

Este menú activa las unidades para que sean accesibles con la tecla **Units**. Las unidades en el menú deben cambiarse a "on" para estar activas.

Nota: Las unidades disponibles varían según el modelo y las normativas locales.

## 4.7 Menú imprimir1

Acceda a este menú para configurar los parámetros de impresión. Los ajustes predeterminados aparecen en negrita.

**Nota:** El menú imprimir2 sólo se muestra si se instala una segunda interfaz.

Reset (Restablecer):	<b>no</b> , yes
Stable Only (Sólo estable):	<b>off</b> , on
Auto Print (Impresión automática):	<b>off</b> on stable interval continuous accept
Content (Contenido):	Result (-> <b>off</b> , <b>on</b> ) Gross (-> <b>off</b> , on) Net (-> <b>off</b> , on) Tare (-> <b>off</b> , on) Header (-> <b>off</b> , on) Footer (-> <b>off</b> , on) Mode (-> <b>off</b> , on) Unit (-> <b>off</b> , <b>on</b> ) Info (-> <b>off</b> , on) Accu (-> <b>off</b> , result, all)
Layout (Formato):	Format (-> <b>S</b> , M) Feed (-> <b>Line</b> , 4 Lines, form)
Data Transfer (Transferencia de datos):	<b>off</b> , on
End Print (Fin de la impresión):	Exit menu

### Restablecer [**rESEt**]

Restablece el menú Imprimir a los valores predeterminados de fábrica.

- NO = No restablece
- YES = Restablece

### Sólo estable [**StABLE**]

Configura los criterios de impresión.

- OFF = Los valores se imprimen inmediatamente
- ON = Los valores se imprimen sólo si se cumplen los criterios de estabilidad

### Impresión automática [**Auto Print**]

Configura la funcionalidad de impresión automática.

- OFF = desactivado
- ON.STAB = La impresión ocurre cada vez que se cumplen los criterios de estabilidad\*
- INTER = La impresión ocurre en el intervalo de tiempo definido\*\*
- ACCEPT = La impresión ocurre cada vez que la pantalla esté dentro del rango de aceptación del pesada de chequeo y se cumplen los criterios de estabilidad
- CONT = La impresión ocurre en forma continua

\*Cuando está seleccionado ON.STAB, configure las condiciones para la impresión, donde:

- LOAD = La impresión ocurre cuando la carga es estable y mayor que cero
- LOAD.ZR = La impresión ocurre cuando la carga es estable e igual o mayor que cero

\*\*Cuando está seleccionado INTER, configure el intervalo de impresión.  
1 a 3600 (segundos)

**Contenido [CONTENT]**

Define el contenido de los datos de impresión (véase la sección 7.4 para las impresiones de muestra).

**Resultado**

Configura el estado.

OFF = desactivado

ON = se imprime la lectura mostrada

**Bruto**

Configura el estado.

OFF = desactivado

ON = se imprime el peso bruto

**Neto**

Configura el estado.

OFF = desactivado

ON = se imprime el peso neto

**Tara**

Configura el estado.

OFF = desactivado

ON = se imprime el peso de tara

**Encabezado**

Configura el estado.

OFF = desactivado

ON = se imprime el encabezado

**Nota:** Consulte la sección 7.3.1 para saber cómo introducir la línea del encabezado

**Pie de página**

Configura el estado.

OFF = desactivado

ON = se imprime el pie de página

**Nota:** Consulte la sección 7.3.1 para saber cómo introducir la línea del pie de página

**Modo**

Configura el estado.

OFF = desactivado

ON = se imprime el modo

**Unidad**

Configura el estado.

OFF = desactivado

ON = se imprime la unidad

**Información**

Configura el estado.

OFF = desactivado

ON = se imprime la información de referencia

**Acumulación**

Configura el estado.

OFF = desactivado

RESULT = se imprime el resultado acumulado

ALL = se imprimen los datos acumulados

**Formato [LAYOUT]**

Configura el formato de los datos enviados a una impresora o un ordenador.

**Formato**

Configura el formato de impresión.

- |        |   |
|--------|---|
| MULTI  | = Se genera una impresión de varias líneas (a estilo de una columna). |
| SINGLE | = Se genera una impresión de línea única.                             |

**Alimentación**

Configura la alimentación del papel.

- |      |  |
|------|--|
| LINE | = Sube un papel una línea después de la impresión          |
| 4LF  | = Sube un papel cuatro líneas después de la impresión      |
| FORM | = Se añade la alimentación de un formulario a la impresión |

**Transferencia de datos [DATA.T]**

Los resultados del pesaje se envían directamente a la aplicación de un ordenador.

- |     |               |
|-----|---------------|
| OFF | = desactivado |
| ON  | = activado    |

**Notas:**

Windows® 7/8 no soporta la función de Transferencia de Datos. OHAUS proporciona el software SPDC para los usuarios de Windows 7/8.

Si el valor de pesaje es un número negativo, ajuste la celda objetivo en formato de TEXTO.

De otro modo, Excel no lo distinguiría como número negativo.

No utilice esta función durante la impresión continua.

**Fin de la impresión [End]**

Avanza al siguiente menú o vuelve al principio del menú actual.

## 4.8 Menú COMUNICACIÓN1

Acceda a este menú para establecer los parámetros de comunicación. Los ajustes predeterminados aparecen en negrita.

Reset (Restablecer):	<b>no</b> , yes
Baud Rate (Velocidad de baudios):	300... <b>9600</b> ...19200
Parity (Paridad):	7 even, 7 odd, 7 none, <b>8 none</b>
Stop bit (Bit de parada):	<b>1</b> , 2
Handshake (Contacto para intercambio de datos):	<b>none</b> , On-Off
Alternate command Comando alternativo: Print (A... <b>P</b> ...Z), Tare (A... <b>T</b> ...Z), Zero (A... <b>Z</b> )	
End COM (Fin de COMUNICACIÓN):	Exit menu

### Restablecer [RESE]

Restablece el menú COM a los valores predeterminados de fábrica.

NO = No restablece

YES = Restablece

### Velocidad de baudios [BAUD]

Configura la velocidad de baudios

300 = 300 bps

600 = 600 bps

1200 = 1200 bps

2400 = 2400 bps

4800 = 4800 bps

9600 = 9600 bps

19200 = 19200 bps

### Paridad [PARITY]

Configura los bits de datos y paridad.

7 EVEN = 7 bits de datos, paridad par

7 ODD = 7 bits de datos, paridad impar

7 NONE = 7 bits de datos, sin paridad

8 NONE = 8 bits de datos, sin paridad

### Bit de parada [STOP]

Configura el número de bits de parada.

1 = 1 bit de parada

2 = 2 bits de parada

### Contacto para intercambio de datos [HAND-E]

Configura el método de control de flujo. El contacto para intercambio de datos de hardware sólo está disponible con el menú COMUNICACIÓN1.

NONE = sin contacto para intercambio de datos

ON-OFF = XON/XOFF software de contacto para intercambio de datos

### Comando alternativo [ALT.COM]

Define el carácter de comando para los comandos de Impresión, Tara y Cero

#### Imprimir

Configura el carácter de comando alternativo para la impresión.

De la A a la Z

#### Tara

Configura el carácter de comando alternativo para la tara.

De la A a la Z

#### Cero

Configura el carácter de comando alternativo para la puesta a cero.

De la A a la Z

**Fin de COMUNICACIÓN1, Fin de COMUNICACIÓN2 [End]**

Avanza al siguiente menú o vuelve al principio del menú actual.

**4.9 Menú de bloqueo**

El menú de bloqueo es una opción de software controlada que puede bloquear las configuraciones de menú para evitar la manipulación ilegal. Los ajustes predeterminados aparecen en negrita.

Reset (Restablecer):	<b>no</b> , yes
Lock Cal (Bloqueo de la calibración) :	<b>off</b> , on
Lock Setup (Bloqueo de la configuración) :	<b>off</b> , on
Lock Read (Bloqueo de lectura):	<b>off</b> , on
Lock Mode (Bloqueo de modo):	<b>off</b> , on
Lock Unit (Bloqueo de unidad):	<b>off</b> , on
Lock Print (Bloqueo de impresión) :	<b>off</b> , on
Lock COM (Bloqueo de COMUNICACIÓN) :	<b>off</b> , on
End Menu Lock (Fin de bloqueo):	Exit menu

**Restablecer [rESEt]**

Restablece el menú de bloqueo a los valores predeterminados de fábrica.

NO = no restablece

YES = Restablece

**Bloqueo de la calibración [L.CAL]**

Configura el estado.

OFF = El menú de calibración no está bloqueado

ON = El menú de calibración está bloqueado

**Bloqueo de la configuración [L.SETUP]**

Configura el estado.

OFF = El menú de configuración no está bloqueado

ON = El menú de configuración está bloqueado

**Bloqueo de lectura [L.rEAd]**

Configura el estado.

OFF = El menú de lectura no está bloqueado

ON = El menú de lectura está bloqueado

**Bloqueo de modo [L.MoDe]**

Configura el estado.

OFF = El menú de modo no está bloqueado

ON = El menú de modo está bloqueado

**Bloqueo de unidad [L.UnIt]**

Configura el estado.

OFF = El menú de unidad no está bloqueado

ON = El menú de unidad está bloqueado

**Bloqueo de impresión [L.Pr int]**

Configura el estado.

OFF = El menú de impresión no está bloqueado



ON = El menú de impresión está bloqueado

### Bloqueo de COMUNICACIÓN [I.COMM]

Configura el estado.

OFF = El menú de COMUNICACIÓN no está bloqueado

ON = El menú de COMUNICACIÓN está bloqueado

### Fin de bloqueo [End]

Avanza al siguiente menú o vuelve al principio del menú actual.

### 4.10 Fin de menú

Pulse 'Yes' (Sí) para avanzar al menú de calibración. Pulse 'No' para salir del menú y volver al modo de aplicación actual.

### 4.11 Características adicionales

Para utilizar la función de gancho de Pesaje Inferior, desconecte la alimentación de la báscula y retire la cubierta protectora de la abertura de pesaje inferior.

Instale el gancho (accesorio) en el orificio de acceso de la parte inferior de la báscula, tal como se muestra. No apriete demasiado, apriete con los dedos. Instale la báscula en un soporte adecuado que permita un espacio de trabajo libre debajo del gancho. Consulte la figura 3-5.

**Nota:** No permita que la báscula se apoye directamente sobre el gancho.

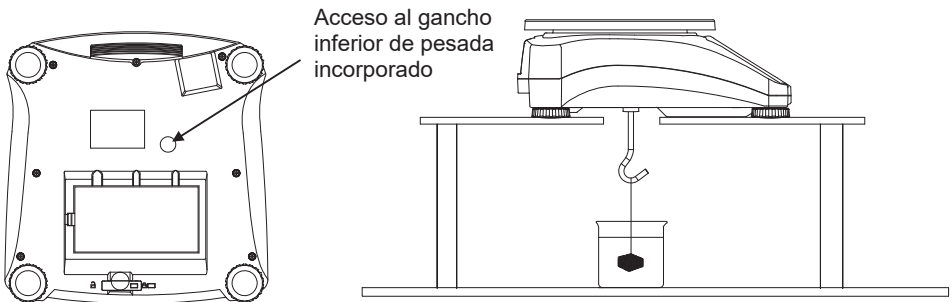


Figura 4-1. Instalación del gancho inferior de pesada incorporado

TABLA 4-2. CÓDIGOS DEL COEFICIENTE DE ADAPTACIÓN GEOGRÁFICA

Latitud		Elevación en metros										
		0	325	650	975	1300	1625	1950	2275	2600	2925	3250
		325	650	975	1300	1625	1950	2275	2600	2925	3250	3575
Latitud		Elevación en pies										
		0	1060	2130	3200	4260	5330	6400	7460	8530	9600	10660
		1060	2130	3200	4260	5330	6400	7460	8530	9600	10660	11730
Valor GEO												
0°00'	5°46'	5	4	4	3	3	2	2	1	1	0	0
5°46'	9°52'	5	5	4	4	3	3	2	2	1	1	0
9°52'	12°44'	6	5	5	4	4	3	3	2	2	1	1
12°44'	15°06'	6	6	5	5	4	4	3	3	2	2	1
15°06'	17°10'	7	6	6	5	5	4	4	3	3	2	2
17°10'	19°02'	7	7	6	6	5	5	4	4	3	3	2
19°02'	20°45'	8	7	7	6	6	5	5	4	4	3	3
20°45'	22°22'	8	8	7	7	6	6	5	5	4	4	3
22°22'	23°54'	9	8	8	7	7	6	6	5	5	4	4
23°54'	25°21'	9	9	8	8	7	7	6	6	5	5	4
25°21'	26°45'	10	9	9	8	8	7	7	6	6	5	5
26°45'	28°06'	10	10	9	9	8	8	7	7	6	6	5
28°06'	29°25'	11	10	10	9	9	8	8	7	7	6	6
29°25'	30°41'	11	11	10	10	9	9	8	8	7	7	6
30°41'	31°56'	12	11	11	10	10	9	9	8	8	7	7
31°56'	33°09'	12	12	11	11	10	10	9	9	8	8	7
33°09'	34°21'	13	12	12	11	11	10	10	9	9	8	8
34°21'	35°31'	13	13	12	12	11	11	10	10	9	9	8
35°31'	36°41'	14	13	13	12	12	11	11	10	10	9	9
36°41'	37°50'	14	14	13	13	12	12	11	11	10	10	9
37°50'	38°58'	15	14	14	13	13	12	12	11	11	10	10
38°58'	40°05'	15	15	14	14	13	13	12	12	11	11	10
40°05'	41°12'	16	15	15	14	14	13	13	12	12	11	11
41°12'	42°19'	16	16	15	15	14	14	13	13	12	12	11
42°19'	43°26'	17	16	16	15	15	14	14	13	13	12	12
43°26'	44°32'	17	17	16	16	15	15	14	14	13	13	12
44°32'	45°38'	18	17	17	16	16	15	15	14	14	13	13
45°38'	46°45'	18	18	17	17	16	16	15	15	14	14	13
46°45'	47°51'	19	18	18	17	17	16	16	15	15	14	14
47°51'	48°58'	19	19	18	18	17	17	16	16	15	15	14
48°58'	50°06'	20	19	19	18	18	17	17	16	16	15	15
50°06'	51°13'	20	20	19	19	18	18	17	17	16	16	15
51°13'	52°22'	21	20	20	19	19	18	18	17	17	16	16
52°22'	53°31'	21	21	20	20	19	19	18	18	17	17	16
53°31'	54°41'	22	21	21	20	20	19	19	18	18	17	17
54°41'	55°52'	22	22	21	21	20	20	19	19	18	18	17
55°52'	57°04'	23	22	22	21	21	20	20	19	19	18	18
57°04'	58°17'	23	23	22	22	21	21	20	20	19	19	18
58°17'	59°32'	24	23	23	22	22	21	21	20	20	19	19
59°32'	60°49'	24	24	23	23	22	22	21	21	20	20	19
60°49'	62°90'	25	24	24	23	23	22	22	21	21	20	20
62°90'	63°30'	25	25	24	24	23	23	22	22	21	21	20
63°30'	64°55'	26	25	25	24	24	23	23	22	22	21	21
64°55'	66°24'	26	26	25	25	24	24	23	23	22	22	21
66°24'	67°57'	27	26	26	25	25	24	24	23	23	22	22
67°57'	69°35'	27	27	26	26	25	25	24	24	23	23	22
69°35'	71°21'	28	27	27	26	26	25	25	24	24	23	23
71°21'	73°16'	28	28	27	27	26	26	25	25	24	24	23
73°16'	75°24'	29	28	28	27	27	26	26	25	25	24	24
75°24'	77°52'	29	29	28	28	27	27	26	26	25	25	24
77°52'	80°56'	30	29	29	28	28	27	27	26	26	25	25
80°56'	85°45'	30	30	29	29	28	28	27	27	26	26	25
85°45'	90°00'	31	30	30	29	29	28	28	27	27	26	26

## 5. LEGAL PARA EL COMERCIO

Si la báscula se utiliza en el comercio o una aplicación controlada legalmente, se debe ajustar, verificar y sellar según las normas de medición y pesaje locales. Es responsabilidad del comprador garantizar que se cumplan todos los requisitos legales pertinentes.

### 5.1 Etiqueta de capacidad

Debe colocarse cerca de cada pantalla una etiqueta que muestre la capacidad y sensibilidad de la báscula. Si antes de la entrega se colocaron las etiquetas de capacidad, no es necesario realizar ninguna acción. Si no se hubieran colocado las etiquetas de capacidad, éstas se encuentran entre el material de embalaje. Ponga las etiquetas encima de las pantallas como se muestra en la Figura 5-1.

**Nota:** Las etiquetas de capacidad se rompen al despegarlas, por lo que intente colocarlas sólo una vez.

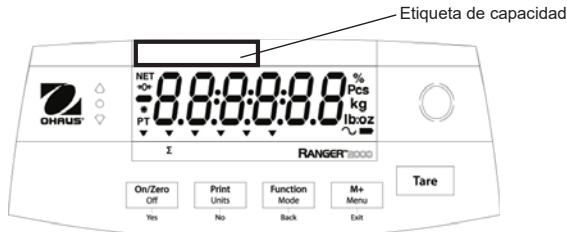


Figura 5-1. Localización de la etiqueta de capacidad en la pantalla delantera y trasera

### 5.2 Configuraciones

Antes de la verificación y sellado, realice los siguientes pasos:

1. Compruebe que la configuración del menú cumple con las normativas locales de pesos y medidas.
2. Realice una calibración, consulte la sección 4.2.
3. Ajuste el interruptor en bloqueado. Consulte la figura 5-2.

El menú Interruptor de bloqueo limita los cambios a los menús Cal (Calibración), Setup (Configuración), Readout (Lectura), Unit (Unidad) y Print (Imprimir). El interruptor en los modelos tipo aprobados puede establecer algunas configuraciones de la báscula según lo requiera la entidad de acreditación. El interruptor puede asegurarse mediante sellos de papel, sellos de alambre o lazos de plástico.

**Nota:** Cuando LEGAL PARA EL COMERCIO esté configurado en ON (el interruptor LFT en posición de bloqueo), las configuraciones de menú se ven afectadas como sigue:

- El menú calibración (C.R.L.) no está accesible
- La configuración de rango cero está bloqueada al 2%
- La configuración de rango estable está bloqueada en 1d
- La configuración de seguimiento de cero automático está bloqueada en 0.5d
- Las unidades están bloqueadas en sus configuraciones actuales
- Sólo estable se bloquea en On
- La impresión automática/continua está desactivada
- Lb:oz se bloquea en Off

### 5.3 Verificación y sellado

El personal autorizado de pesos y medidas locales o un agente de mantenimiento autorizado debe realizar el procedimiento de verificación.

#### 5.3.1 Sellos físicos

Para las jurisdicciones que utilicen el método de sellado físico, el personal autorizado de pesos y medidas locales o un agente de mantenimiento autorizado debe aplicar un sello de seguridad para evitar la manipulación de las configuraciones. Consulte la ilustración que aparece a continuación para conocer los métodos de sellado.

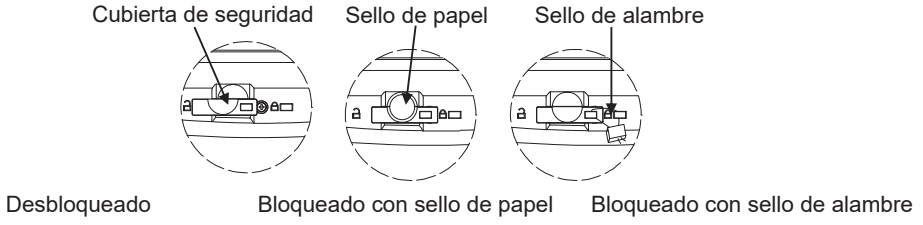


Figura 5-2. Sellado

## 6. MANTENIMIENTO

### 6.1 Limpieza

La carcasa puede limpiarse con un paño humedecido con un detergente suave si es necesario. No use disolventes, productos químicos, alcohol, amoníaco o sustancias abrasivas para limpiar la carcasa o el panel de control.



**ADVERTENCIA:** Peligro de descarga eléctrica. Desconecte el equipo de

### 6.2 Solución de problemas

La tabla siguiente muestra los problemas comunes, así como sus posibles causas y soluciones. Si el problema persiste, póngase en contacto con OHAUS o con su distribuidor autorizado.

TABLA 6-1

Síntoma	Causa posible	Solución
No se enciende	No llega corriente a la báscula	Verifique las conexiones y el voltaje.
Exactitud baja	Calibración incorrecta Entorno inestable	Realice una calibración Mueva la báscula a una ubicación apropiada.
No se puede calibrar	LFT bloqueado	Consulte el capítulo 5 para más información
No se puede acceder al modo	Modo sin habilitar	Acceda al menú y habilite el modo
No se puede acceder a la unidad	Unidad sin habilitar	Acceda al menú y habilite la unidad
El icono de la batería parpadea	Error de batería baja	Conecte la báscula a la corriente de CA y cargue la batería
<b>Err 8.1</b>	Error de encendido	La lectura del peso supera el límite de cero de encendido
<b>Err 8.2</b>	Error de encendido	La lectura del peso está por debajo del límite de cero de encendido
<b>Err 8.3</b>	Error de valor superior	La lectura del peso excede el límite de sobrecarga
<b>Err 8.4</b>	Error de valor inferior	Lectura de peso por debajo del límite de carga insuficiente
<b>Err 8.5</b>	Tara fuera de rango	Ajuste el valor de la tara para que se encuentre dentro del rango
<b>Err 8.6</b>	Desbordamiento de la pantalla	El peso supera los 6 dígitos
<b>Err 9.5</b>	Error de datos de calibración	Datos de calibración no presentes
-----	Ocupado	Se muestra durante la configuración de la tara, la configuración de cero y la impresión
--n0--	Acción no permitida	Función no ejecutada

<b>Cal E</b>	Error de calibración Entorno inestable Peso de calibración incorrecto	El valor de calibración está fuera de los valores permitidos Mueva la báscula a una ubicación apropiada Use un peso de calibración correcto
<b>Lo.rEF</b>	Advertencia de peso de referencia bajo	Aumente el peso de referencia
<b>rEF.Err</b>	Peso de referencia no aceptable	Peso de referencia demasiado bajo. El peso del plato es demasiado bajo como para definir un peso de referencia válido. Aumente el peso de referencia.
La batería no se carga completamente	La batería está defectuosa	Reemplace la batería en un centro de servicio técnico autorizado de Ohaus.

### 6.3 Información de mantenimiento

Si la sección de solución de problemas no resuelve o describe su problema, póngase en contacto con su servicio técnico OHAUS autorizado. Para obtener ayuda sobre el mantenimiento o para recibir soporte técnico en los Estados Unidos, llame gratis al 1-800-526-0659 entre las 8:00 a.m. y las 5:00 p.m., hora del este. Un técnico especialista en productos OHAUS estará a su disposición para ofrecerle asistencia. Fuera de los Estados Unidos, por favor visite nuestra página web, [www.ohaus.com](http://www.ohaus.com), para localizar la oficina de OHAUS más cercana a usted.

### 6.4 Accesorios

TABLA 6-2. ACCESORIOS

DESCRIPCIÓN	NÚMERO DE PIEZA
Kit de interfaz de Internet	30037447
2º kit de interfaz RS232	30037448
Kit de interfaz de USB	30037449
Cubierta en uso	30037451
Gancho inferior de pesada incorporado	30037450
Impresora	Póngase en contacto con Ohaus
Cables de comunicación	Póngase en contacto con Ohaus
En uso cover 5 piezas	30656204

## 7. DATOS TÉCNICOS

Los datos técnicos son válidos bajo las siguientes condiciones ambientales:

Uso en interiores

Temperatura de funcionamiento: -10 °C a 40 °C

Humedad relativa: 20 a 85% de humedad relativa, no condensante

Altura sobre el nivel del mar: Hasta 2.000 m

Energía eléctrica: Adaptador de corriente CA 200-240 V 50/60 Hz, batería ácida de plomo sellada recargable interna

EMC: Consulte la declaración de conformidad

Grado de polución: 2

Categoría de instalación: II

Fluctuaciones en el voltaje de la alimentación eléctrica: hasta  $\pm 10\%$  del voltaje nominal

### 7.1 Especificaciones

TABLA 7-1. ESPECIFICACIONES

MODELO	R21PE1502	R21PE3	R21PE6	R21PE15	R21PE30	R21PHE30
Capacidad x legibilidad (Máx. X d. no aprobado)	1,5 kg x 0,00005 kg 1500 g x 0,05 g 3 lb x 0,0001 lb 48 oz x 0,002 oz	3 kg x 0,0001 kg 3000 g x 0,1 g 6 lb x 0,0002 lb 96 oz x 0,004 oz	6 kg x 0,0002 kg 6000 g x 0,2 g 15 lb x 0,0005 lb 240 oz x 0,01 oz	15 kg x 0,0005 kg 15000 g x 0,5 g 30 lb x 0,001 lb 480 oz x 0,02 oz	30 kg x 0,001 kg 30 000 g x 1 g 60 lb x 0,002 lb 960 oz x 0,04 oz	30 kg x 0,0001kg 30 000 g x 0,1 g 60 lb x 0,0002 lb 960 oz x 0,004 oz
Resolución máxima mostrada	1:30000					1:300000
Repetibilidad	$\pm 0,1$ g	$\pm 0,2$ g	$\pm 0,4$ g	$\pm 1$ g	$\pm 2$ g	$\pm 1$ g
Linealidad	$\pm 0,1$ g	$\pm 0,2$ g	$\pm 0,4$ g	$\pm 1$ g	$\pm 2$ g	$\pm 1$ g
Unidades de pesaje	g, kg, lb, oz, lb:oz					
Rango de tara	Capacidad total por sustracción					
Tiempo de estabilización	$\leq 1$ segundo					
Pantalla de pesaje	LED rojo 6 dígitos de 7 segmentos, 28 mm/1,1 pulgadas de altura de los dígitos					
Teclado	5 botones mecánicos					
Modos de aplicación	Pesaje, pesaje dinámico/retención de pantalla, recuento, comprobación de peso, comprobación de recuento, comprobación de porcentaje, pesaje de porcentaje, acumulación					
Tiempo de funcionamiento de la batería (a 20° C)	110 horas					
Estructura	Carcasa de plástico ABS, plataforma de plástico ABS con inserto de acero inoxidable					
Dimensiones de la bandeja	225 x 300 mm					
Peso neto	3,9 kg / 8,6 lb					
Peso bruto	5,15 kg / 11,4 lb					

7.2 Dibujos

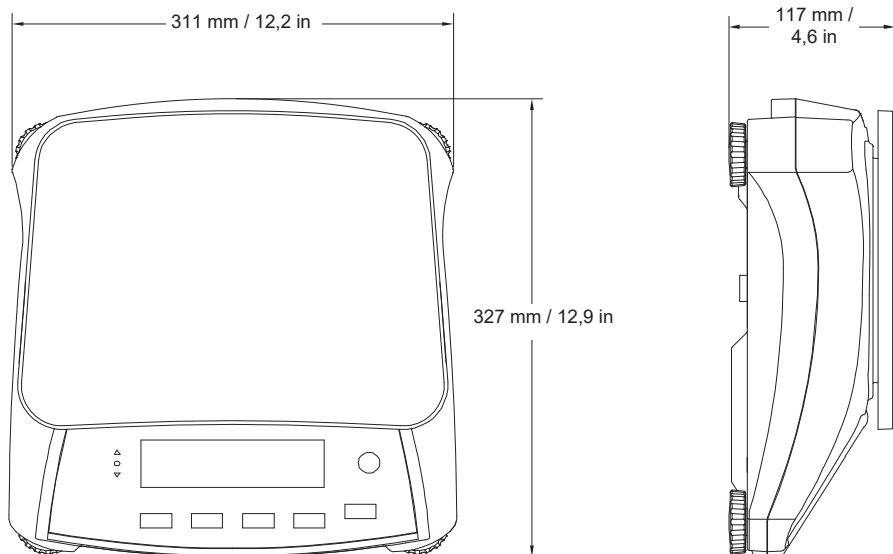


Figura 7-1. Dimensiones.

### 7.3 Comunicación

La báscula está equipada con una interfaz RS232 (COM1) ubicada por debajo de la cubierta Opciones. La conexión de la báscula a un ordenador le permite hacer funcionar la báscula desde el ordenador, así como recibir datos como por ejemplo el peso que se muestra en la pantalla.

#### 7.3.1 Comandos de la interfaz

Comunican con la báscula mediante los caracteres para los comandos enumerados en la tabla 7-2.

TABLA 7-2

Comando	Función
IP	Impresión inmediata del peso mostrado (estable o inestable).
P	Imprime el peso mostrado (estable o inestable).
CP	Impresión continua.
SP	Impresión en estabilidad.
xS	0S: Desactiva el elemento del menú "Sólo estable" y permite imprimir en inestabilidad. 1S: Activa el elemento del menú "Sólo estable" e imprime sólo impresiones estables.
xP	Impresión a intervalos x = impresión a intervalos (1-3600 s) 0P DESACTIVA la impresión automática.
Z	Igual que pulsar la tecla de puesta a cero.
T	Igual que pulsar la tecla de tara.
xT	Descarga el valor de la tara en gramos (sólo valores positivos). El envío de 0T borra la tara (si se permite).
PU	Imprime la unidad actual: g, kg, lb, oz, lb:oz
xU	Ajusta la báscula en la unidad x: 1=g, 2=kg, 3=lb, 4=oz, 5=lb:oz
xM	Ajusta la báscula en el modo x: M se desplazará al modo activado siguiente.
PV	Versión: imprime el nombre, la versión del software y LFT ON (si LFT se ajusta en ON).
H x "text"	Introduce la línea del encabezado, donde x= número de línea del 1 al 5, "text" = texto del encabezado de hasta 24 caracteres alfanuméricos.
F x "text"	Introduce la línea del pie de página, donde x= número de línea del 1 al 2, "text" = texto posterior de hasta 24 caracteres alfanuméricos.
\EscR	Restablecimiento global para restablecer todas las configuraciones de menú a los valores predeterminados de fábrica. (Tecla Escape + tecla 'R').

#### 7.3.2 Conexiones para RS232

Se proporciona el conector COM1 "D" subminiatura hembra de 9 pines para interconectar con otros dispositivos. Las conexiones de pin son las siguientes:

Pines activos: PIN 2 = TXD, PIN 3 = RXD, PIN 5 = Tierra

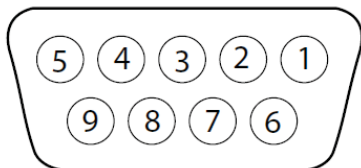


Figura 7-2. Pines RS232



## 7.4 Copia impresa

Las siguientes impresiones de muestra son generadas por la tecla **Imprimir**, el comando "P" o el comando de impresión alternativo. El contenido de la impresión se define en el elemento del menú impresión de contenidos. En cada línea se puede imprimir un máximo de 24 caracteres.

### Impresión del modo de pesaje

	Descripción	Comentario
11,11 kg NET	Línea de resultados	Si Printx → Contenido → Resultado está ACTIVADO
12,34 kg G	Línea de valor bruto	Si Printx → Contenido → Bruto está ACTIVADO y se ha introducido el valor de la tara
11,11 kg NET	Línea de valor neto	Si Printx → Contenido → Neto está ACTIVADO y se ha introducido el valor de la tara
1,23 kg T	Línea de valor de la tara	Si Printx → Contenido → Tara está ACTIVADA y se ha introducido el valor de la tara
MODE: WEIGH	Línea del modo	Si Printx → Contenido → Modo de la aplicación está ACTIVADO
<sin línea impresa>	Línea de información	Si Printx → Contenido → Información está ACTIVADA

### Modo de pesaje con impresión de la acumulación

	Descripción	Comentario
11,11 kg NET	Línea de resultados	Si Printx → Contenido → Resultado está ACTIVADO
12,34 kg G	Línea de valor bruto	Si Printx → Contenido → Bruto está ACTIVADO y se ha introducido el valor de la tara
11,11 kg NET	Línea de valor neto	Si Printx → Contenido → Neto está ACTIVADO y se ha introducido el valor de la tara
1,23 kg T	Línea de valor de la tara	Si Printx → Contenido → Tara está ACTIVADA y se ha introducido el valor de la tara
N:4	Línea de acumulación	Si Printx → Contenido → Acumulación es todo
TOTAL: 50.35 kg	Línea de acumulación	Si Printx → Contenido → Acumulación es todo
MIN: 11,11 kg	Línea de acumulación	Si Printx → Contenido → Acumulación es todo
MAX: 14,85 kg	Línea de acumulación	Si Printx → Contenido → Acumulación es todo

### Impresión del modo de porcentaje

	Descripción	Comentario
100 % NET	Línea de resultados	Si Printx → Contenido → Resultado está ACTIVADO
12,34 kg G	Línea de valor bruto	Si Printx → Contenido → Bruto está ACTIVADO y se ha introducido el valor de la tara
11,11 kg NET	Línea de valor neto	Si Printx → Contenido → Neto está ACTIVADO y se ha introducido el valor de la tara
1,23 kg T	Línea de valor de la tara	Si Printx → Contenido → Tara está ACTIVADA y se ha introducido el valor de la tara
MODE: PERCENT	Línea del modo	Si Printx → Contenido → Modo de la aplicación está ACTIVADO
REF WGT 0.012 kg	Línea de información	Si Printx → Contenido → Información está ACTIVADA

### Impresión del modo de recuento

	Descripción	Comentario
926 PCS	Línea de resultados	Si Printx → Contenido → Resultado está ACTIVADO
12,34 kg G	Línea de valor bruto	Si Printx → Contenido → Bruto está ACTIVADO y se ha introducido el valor de la tara
11,11 kg NET	Línea de valor neto	Si Printx → Contenido → Neto está ACTIVADO y se ha introducido el valor de la tara
1,23 kg T	Línea de valor de la tara	Si Printx → Contenido → Tara está ACTIVADA y se ha introducido el valor de la tara
MODE: COUNT	Línea del modo	Si Printx → Contenido → Modo de la aplicación está ACTIVADO
APW: 0,012 kg	Línea de información	Si Printx → Contenido → Información está ACTIVADA

**Impresión del modo comprobación (peso)**

	<b>Descripción</b>	<b>Comentario</b>
<b>11,11 kg NET OVER</b>	Línea de resultados	Si Printx → Contenido → Resultado está ACTIVADO, DEFECTO/ACEPTACIÓN/EXCESO
<b>12,34 kg G</b>	Línea de valor bruto	Si Printx → Contenido → Bruto está ACTIVADO y se ha introducido el valor de la tara
<b>11,11 kg NET</b>	Línea de valor neto	Si Printx → Contenido → Neto está ACTIVADO y se ha introducido el valor de la tara
<b>1,23 kg T</b>	Línea de valor de la tara	Si Printx → Contenido → Tara está ACTIVADA y se ha introducido el valor de la tara
<b>MODE: CHECKWEIGH</b>	Línea del modo	Si Printx → Contenido → Modo de la aplicación está ACTIVADO
<b>UNDER TARGET 1,00 kg</b>	Línea de información	Si Printx → Contenido → Información está ACTIVADA
<b>OVER TARGET 2,00 kg</b>	Línea de información	Si Printx → Contenido → Información está ACTIVADA

**Impresión modo dinámico**

	<b>Descripción</b>	<b>Comentario</b>
<b>12,34 KG NET</b>	Línea de resultados	Si Printx → Contenido → Resultado está ACTIVADO
<b>12,34 kg G</b>	Línea de valor bruto	Si Printx → Contenido → Bruto está ACTIVADO y se ha introducido el valor de la tara
<b>11,11 kg NET</b>	Línea de valor neto	Si Printx → Contenido → Neto está ACTIVADO y se ha introducido el valor de la tara
<b>1,23 kg T</b>	Línea de valor de la tara	Si Printx → Contenido → Tara está ACTIVADA y se ha introducido el valor de la tara
<b>MODE: DYNAMIC</b>	Línea del modo	Si Printx → Contenido → Modo de la aplicación está ACTIVADO
<b>LEVEL 10</b>	Línea de información	Si Printx → Contenido → Información está ACTIVADA

**7.5 Formato de salida**

String Peso formato de impresión:

Campo	Peso	espacio	Unidad	espacio	Estabilidad	espacio	G/N	espacio	Term. Char(s)
Longitud	9	1	5	1	1	1	NET	1	

Cada campo es seguido por un único espacio de delimitación (ASCII: 32)

**Definiciones:**

**Peso** - hasta 9 caracteres, justificado a la derecha, - a la izquierda inmediata del personaje más importante (si es negativo).

**Unidad** - Hasta 5 caracteres, justificado a la izquierda. Si la unidad en el menú de contenido Imprimir se establece en OFF, la unidad se eliminará en la cadena de peso y se reemplaza por espacios.

**Estabilidad** - "?" Carácter se imprime si no es estable. Si el peso es estable o se imprime ni "?" Siguiente espacio.

**G / N** - "NET" impreso si el peso es el peso neto, 'G' o nada impreso si el peso es un peso bruto.

**Carácter de terminación (s)** - Carácter de terminación (s) impreso en función de la configuración del menú FEED.

**GARANTÍA LIMITADA**

Los productos de OHAUS están en garantía por defectos en los materiales o de construcción desde la fecha de entrega hasta la duración del periodo de la garantía. Durante el periodo de validez de la garantía, OHAUS reparará o, según su criterio, sustituirá cualquier componente que sea defectuoso sin cargo adicional siempre que el producto se entregue, con flete pago, a OHAUS. Esta garantía no aplica si el producto ha recibido daños por accidentes o mal uso, ha sido expuesto a materiales radioactivos o corrosivos, o ha recibido materiales extraños en su interior o como resultado del servicio o modificación por un tercero que no sea OHAUS. En lugar de una tarjeta de registro de garantía debidamente devuelta, el periodo de la garantía se iniciará en la fecha de envío al distribuidor autorizado. OHAUS Corporation no entrega otro tipo de garantía expresa o implícita. OHAUS Corporation no es responsable de daños indirectos.

Puesto que la legislación sobre garantías difiere de un estado a otro y de un país a otro, póngase en contacto con OHAUS o con su distribuidor local de OHAUS para obtener más información.



OHAUS Corporation  
8 Campus Drive  
Suite 105  
Parsippany, NJ 07054 USA  
Tel: +1 973 377 9000  
Fax: +1 973 944 7177

With offices worldwide / Con oficinas alrededor del mundo

**[www.ohaus.com](http://www.ohaus.com)**



P/N 30037458 F © 2023 OHAUS Corporation, all rights reserved / todos los derechos reservados

Printed in China / Impreso en la China